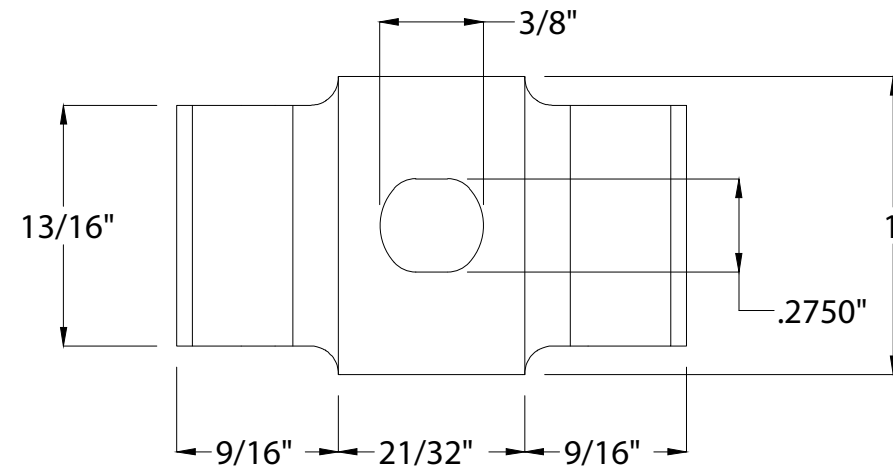
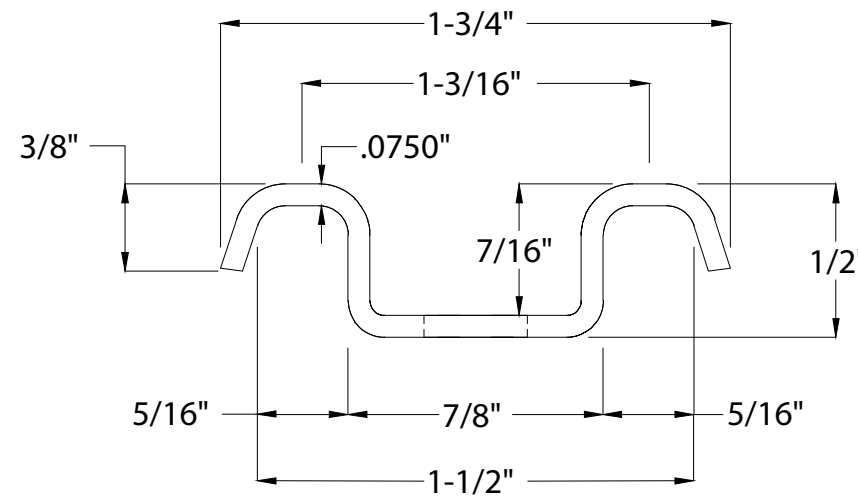


Clip Top View



Clip Side View



A		For Approval	ED
REV	DATE	DESCRIPTION	BY

ALLFASTENERS 

959 LAKE ROAD MEDINA, OHIO 44256
 P (440) 232-6060 F (440) 232-6062
 www.allfasteners.com

Item Name	GRATING CLIP		
Part Number	6GC19W	Prep By	ED
Date		Chkd By	BS
Description		G.A. SHT- 1	