

HSS TUBE EMBED FOR CURTAIN WALL

FOR ALL THINGS FASTENING.

CUSTOMER SERVICE: 888.859.6060 | SALES@ALLFASTENERS.COM

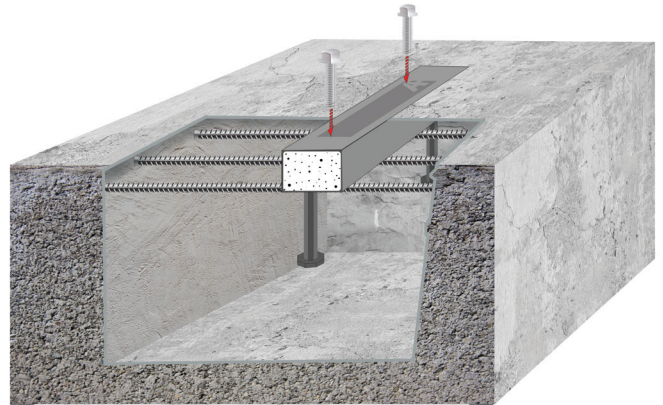
Allfasteners **HSS Tube Embeds (HTE)** are designed to provide a solution for the curtain wall industry by representing a significant advancement in structural support systems for large scale glass facades.

Our design is to be used with thread-forming screws - increasing the possibility of achieving higher loads and providing more flexibility on construction tolerances.

HTE combines the strength and durability of high-strength steel with the convenience of embedded studs or rebar tails, making it the ideal choice for architects, engineers and builders in the curtain wall sector.

A robust and reliable solution for attaching curtain wall systems to underlying structures, Allfasteners HTE is readily available through Allfasteners' reliable sourcing and manufacturing abilities.

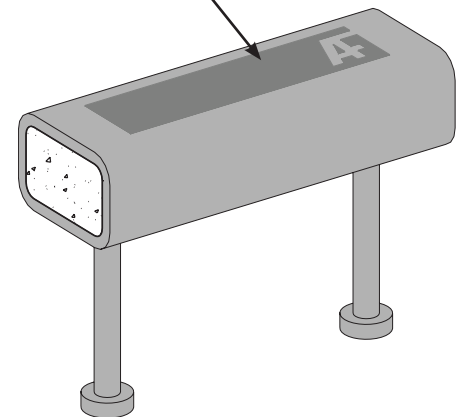
Our commitment to quality and innovation is evident once more with the introduction of the HSS Tube Embeds.



KEY BENEFITS

- **Enhanced Structural Support:** Designed to provide strong and reliable connections between curtain wall and the building's structural elements - ensuring the system can withstand wind loads, seismic forces and other environmental stresses.
- **Versatile:** Can be used in top, bottom and edge of slab construction.
- **Design Flexibility:** Multiple HSS lengths and multiple configurations of studs and rebar, providing a solution for any project.
- **Field Flexibility:** Construction strip tolerance marking for more precise connection placement.
- **Cost Efficient:** No need for T-bolts.
- **Domestic:** Made in the USA.

Construction Strip



MATERIAL SPECIFICATIONS

HSS Tube

- 3" x 2" x 1/4"
- Hot Dip Galvanized
- ASTM A500 Gr. C
- $F_y = 50$ ksi
- $F_u = 62$ ksi

Studs

- 1/2" Shear Stud
- Type B
- 1" Head Diameter
- 5/16" Head Height
- Hot Dip Galvanized
- ASTM A29
- $F_y = 51$ ksi
- $F_u = 65$ ksi

Rebar Tails

- #4 Rebar, 18", Weldable
- Plain Finish
- ASTM A706-60
- $F_y = 60$ ksi
- $F_u = 80$ ksi

HSS TUBE EMBED FOR CURTAIN WALL

FOR ALL THINGS FASTENING.

CUSTOMER SERVICE: 888.859.6060 | SALES@ALLFASTENERS.COM


TECHNICAL SPECIFICATIONS

TABLE 1: TECHNICAL SPECIFICATIONS

SHAPE (RECTANGLE)	SHAPE			DESIGN WALL THICKNESS	NOM. WT.	AREA	b/t	h/t	AXIS X-X				AXIS Y-Y				WORKABLE FLAT		TORSION		SURFACE AREA
	H	B	t _{nom}	t	A	I			S	r	Z	I	S	r	Z	DEPTH	WIDTH	J	C	ft ² /ft	
	in.	in.	in.	in.	in ²	in ⁴			in ³	in	in ³	in ⁴	in ³	in	in ³	in	in	in ⁴	in ³		
HSS 3 x 2 x 1/4	3	2	0.250	0.233	7.11	1.97	5.6	9.9	2.13	1.42	1.04	1.83	1.11	1.11	0.75	1.38	1.875	1.875	2.52	2.23	0.767

SIZING SPECIFICATIONS

TABLE 2: 8" HTE WITH STUDS

PART NUMBER	HSS TUBE SIZE	STUD COUNT	STUD SIZE	
14AFHTE823	8" HSS Tube	2 Studs	3" Stud	1
14AFHTE824	8" HSS Tube	2 Studs	4" Stud	1
14AFHTE825	8" HSS Tube	2 Studs	5" Stud	1

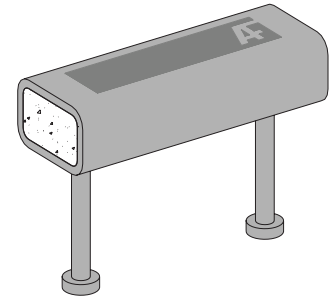



TABLE 3: 12" HTE WITH STUDS

PART NUMBER	HSS TUBE SIZE	STUD COUNT	STUD SIZE	
14AFHTE1223	12" HSS Tube	2 Studs	3" Stud	1
14AFHTE1224	12" HSS Tube	2 Studs	4" Stud	1
14AFHTE1225	12" HSS Tube	2 Studs	5" Stud	1
14AFHTE1233	12" HSS Tube	3 Studs	3" Stud	1
14AFHTE1234	12" HSS Tube	3 Studs	4" Stud	1
14AFHTE1235	12" HSS Tube	3 Studs	5" Stud	1

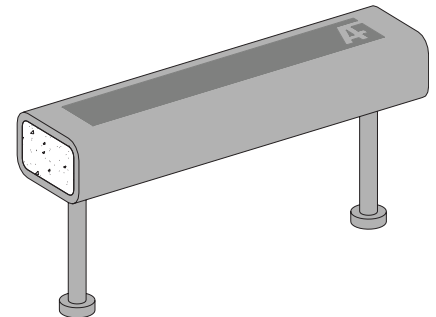

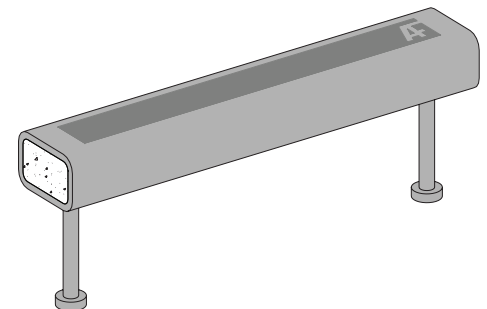


TABLE 4: 16" HTE WITH STUDS

PART NUMBER	HSS TUBE SIZE	STUD COUNT	STUD SIZE	
14AFHTE1623	16" HSS Tube	2 Studs	3" Stud	1
14AFHTE1624	16" HSS Tube	2 Studs	4" Stud	1
14AFHTE1625	16" HSS Tube	2 Studs	5" Stud	1
14AFHTE1633	16" HSS Tube	3 Studs	3" Stud	1
14AFHTE1634	16" HSS Tube	3 Studs	4" Stud	1
14AFHTE1635	16" HSS Tube	3 Studs	5" Stud	1



HSS TUBE EMBED FOR CURTAIN WALL

FOR ALL THINGS FASTENING.

CUSTOMER SERVICE: 888.859.6060 | SALES@ALLFASTENERS.COM

SIZING SPECIFICATIONS

TABLE 5: 8" HTE WITH 45 DEGREE STUDS


PART NUMBER	HSS TUBE SIZE	STUD COUNT	STUD SIZE	
14AFHTE823-45	8" HSS Tube	2 Studs	3" Stud	1
14AFHTE824-45	8" HSS Tube	2 Studs	4" Stud	1
14AFHTE825-45	8" HSS Tube	2 Studs	5" Stud	1

TABLE 6: 12" HTE WITH 45 DEGREE STUDS


PART NUMBER	HSS TUBE SIZE	STUD COUNT	STUD SIZE	
14AFHTE1223-45	12" HSS Tube	2 Studs	3" Stud	1
14AFHTE1224-45	12" HSS Tube	2 Studs	4" Stud	1
14AFHTE1225-45	12" HSS Tube	2 Studs	5" Stud	1
14AFHTE1233-45	12" HSS Tube	3 Studs	3" Stud	1
14AFHTE1234-45	12" HSS Tube	3 Studs	4" Stud	1
14AFHTE1235-45	12" HSS Tube	3 Studs	5" Stud	1

TABLE 7: 16" HTE WITH 45 DEGREE STUDS



PART NUMBER	HSS TUBE SIZE	STUD COUNT	STUD SIZE	
14AFHTE1623-45	16" HSS Tube	2 Studs	3" Stud	1
14AFHTE1624-45	16" HSS Tube	2 Studs	4" Stud	1
14AFHTE1625-45	16" HSS Tube	2 Studs	5" Stud	1
14AFHTE1633-45	16" HSS Tube	3 Studs	3" Stud	1
14AFHTE1634-45	16" HSS Tube	3 Studs	4" Stud	1
14AFHTE1635-45	16" HSS Tube	3 Studs	5" Stud	1

TABLE 8: HTE WITH 18" REBAR TAILS

PART NUMBER	HSS TUBE SIZE	REBAR COUNT	REBAR SIZE	
14AFHTE12218R	12" HSS Tube	2 Studs	18"	1
14AFHTE16218R	16" HSS Tube	2 Studs	18"	1
14AFHTE16318R	16" HSS Tube	3 Studs	18"	1

