



NEXSPAN2™ H SERIES SUBMITTAL PACKAGE

FOR OVERHEAD MEP APPLICATIONS

| | |
|-----|-------------------------------|
| 2 | Introduction |
| 3 | Universal Clamps |
| 4-7 | Application Examples |
| 8 | Ordering Information |
| 8-9 | NexSpan2™ v. Double C-Channel |
| 10 | Technical Specifications |



OVERVIEW & INFORMATION

Allfasteners NexSpan2™ H Series is a pre-engineered system for overhead MEP applications where heavy load capacities are required.

When it comes to challenging environments such as airports, data centers, hospitals, and waste/water treatment plants, NexSpan2™ H Series is the intersection between high load capacity and simplicity.

NexSpan2™ H Series consists of a slotted hollow structural tube design, universal beam clamps, and threaded rod, which ensure a quick, easy, and reliable support structure.



APPLICATIONS

Airports

- Heavy mechanical piping
- Large HVAC ductwork
- Industrial heating & cooling units

Data Centers

- Heavy chiller piping
- Large HVAC ductwork
- Industrial cooling equipment

Hospitals

- Large HVAC ductwork
- Chemical process piping
- Industrial heating & cooling units

Water/Waste Treatment Plants

- Pipe support stands & racks

Supplemental Steel

Overhead Trapeze Applications



KEY BENEFITS

- No on-site welding needed
- No need for heavy lifting equipment
- Suited for installation in challenging environments
- Assembled with impact driver or torque wrench only
- Easy to level
- Hot dip galvanized
- Engineered structural support design
- Compact packaging allows for simple transport in the back of a van
- Cost effective
- Made in the USA
- Made by AISC Certified Fabricator



Certified AISC Fabricator
#2200111512ORFN



NOT A REPLACEMENT FOR STRUT CHANNEL

NexSpan2™ H Series superior load capacities allow it to go where strut channel cannot. The A500 grade hollow structural tube make it comparable to steel dunnage, I-beams, and double welded C-channel, and provide pre-engineered support for heavy pipework, large HVAC ductwork, HVAC units, and other suspended components.

By incorporating NexSpan2™ into your next project, you'll achieve superior results while minimizing design time, reducing welding hours on site, and avoiding the lead times associated with custom fabricated steel.



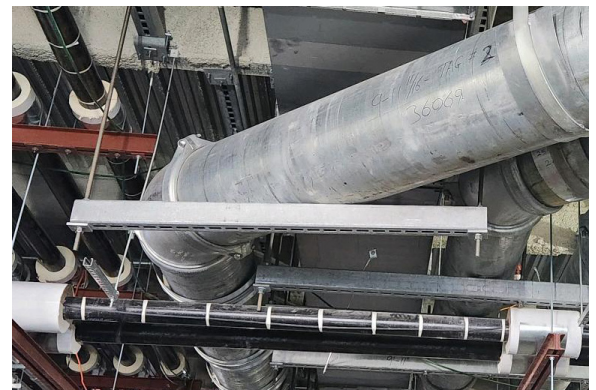
UNIVERSAL BEAM CLAMPS

The NexSpan2™ H Series is designed for overhead applications and can be securely mounted to I-beam flanges for use as supplemental steel.

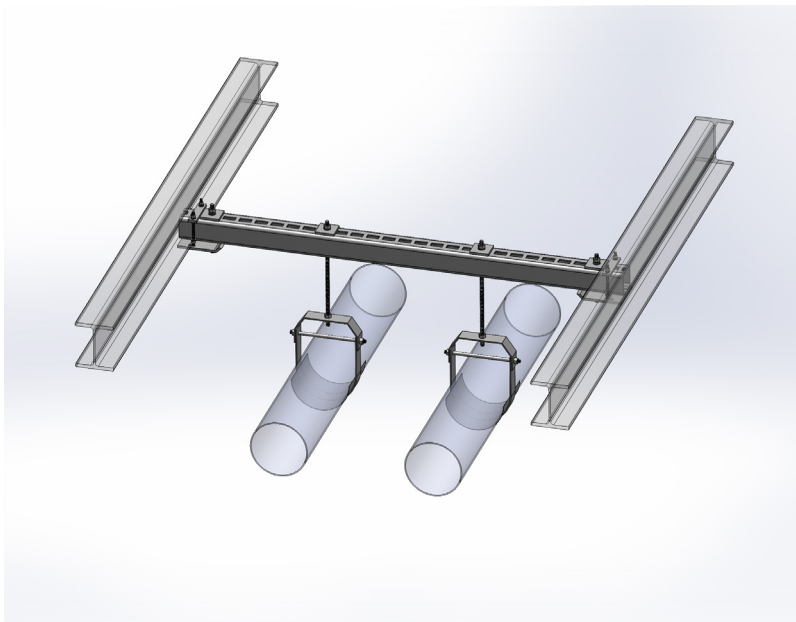
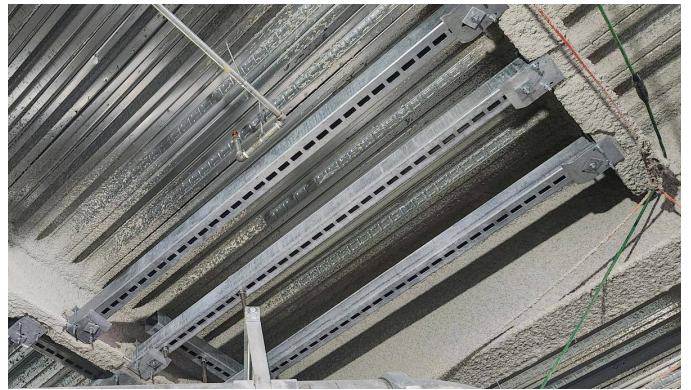
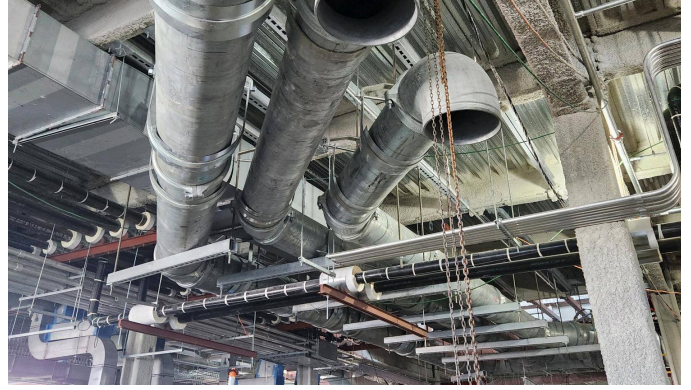
Available in three sizes, 3", 4", and 5".

WHY USE NEXSPAN2™

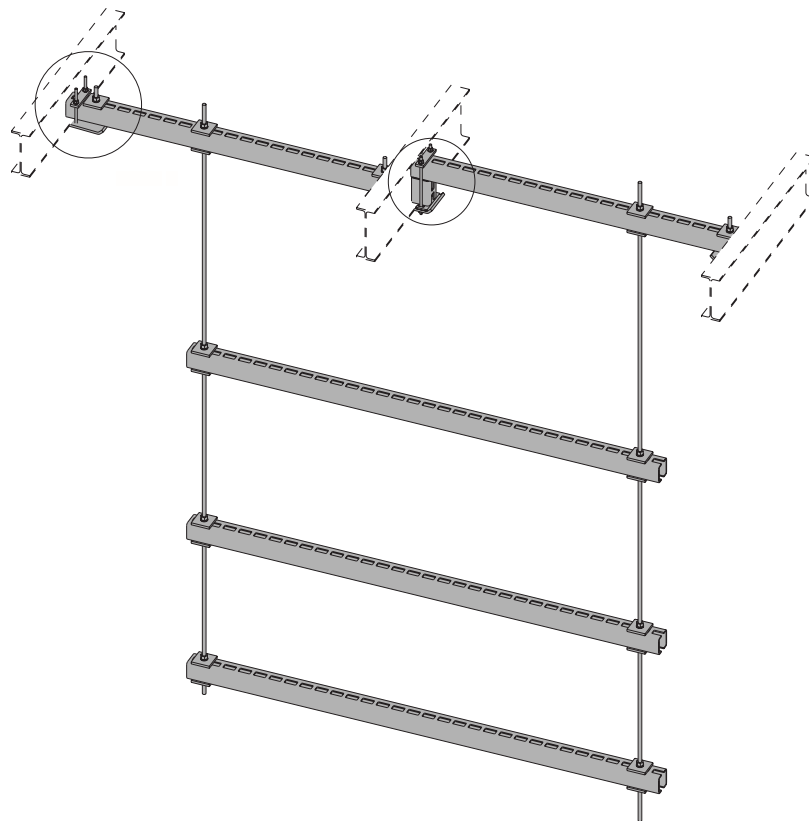
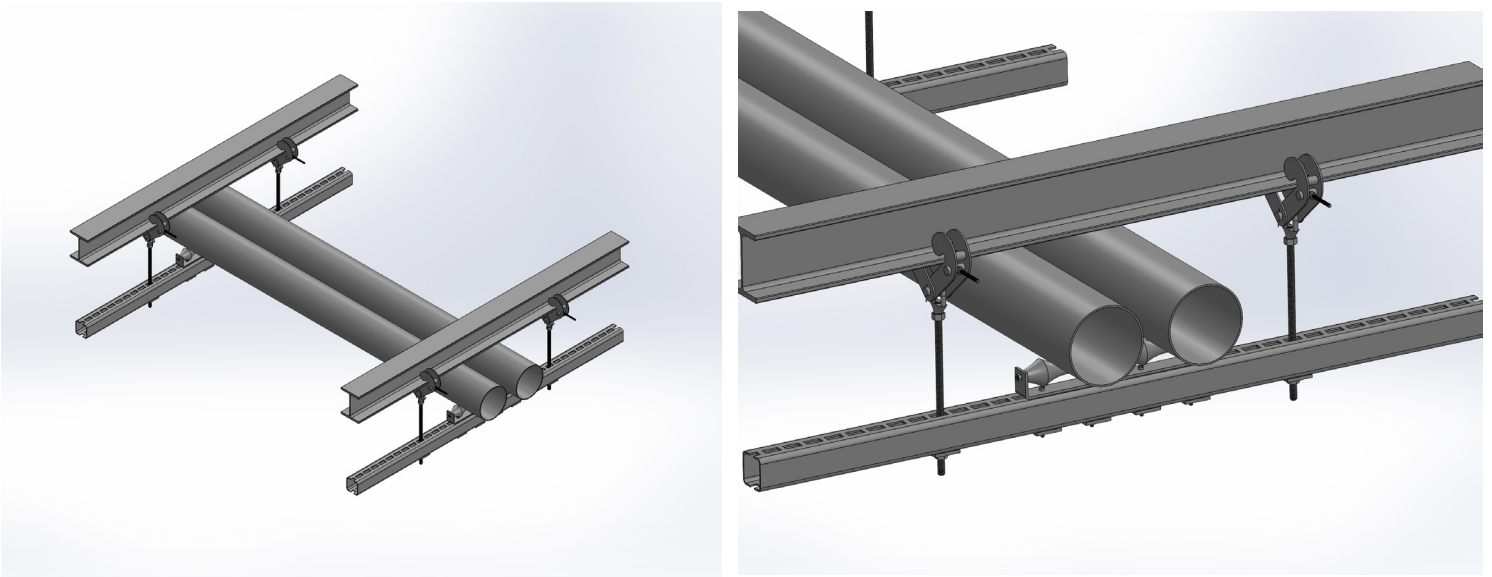
- Lightweight, reducing handling labor and reducing weight carried by building structure. Modular design allows for quick adjustments and modifications
- Slotted design allows for quick length adjustments
- Sleek profile enhances aesthetic appeal and maximizes space efficiency
- Ideal for supporting electrical and mechanical systems, HVAC units, and other suspended components
- Provides reliable and safe hanging solutions for various construction needs
- Simplifies the installation process compared to traditional steel structures



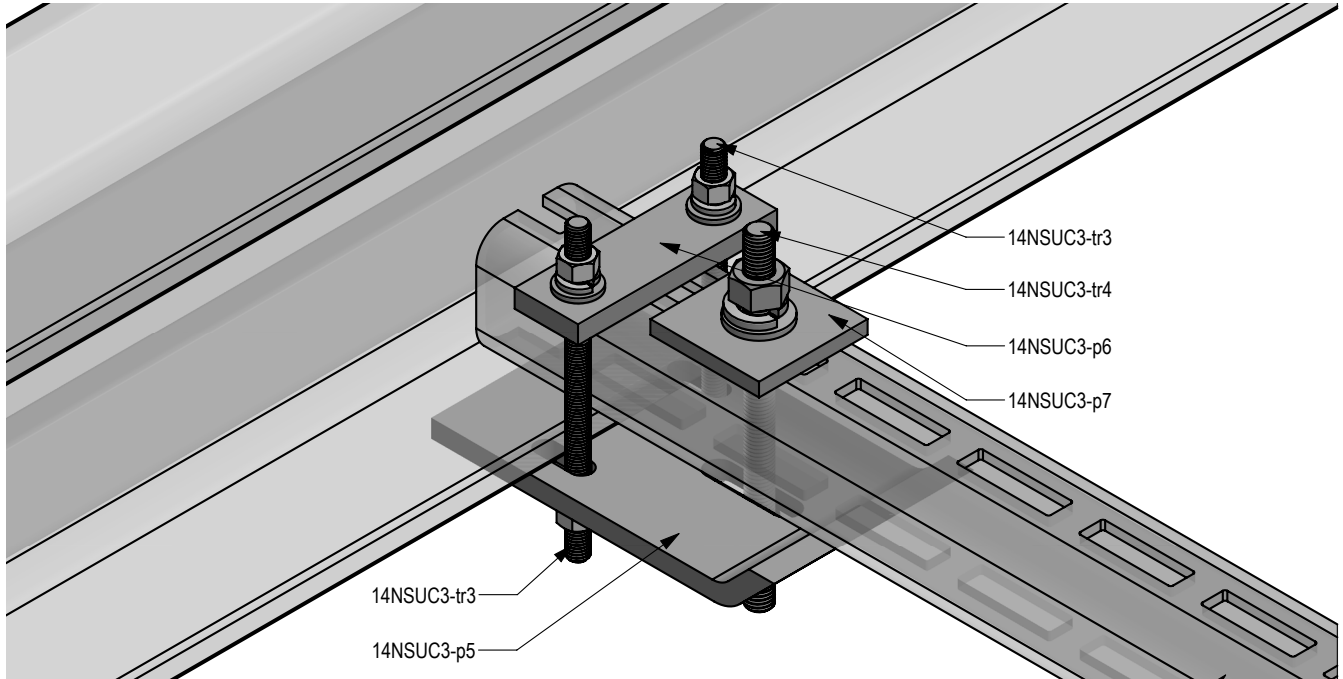
APPLICATION EXAMPLES



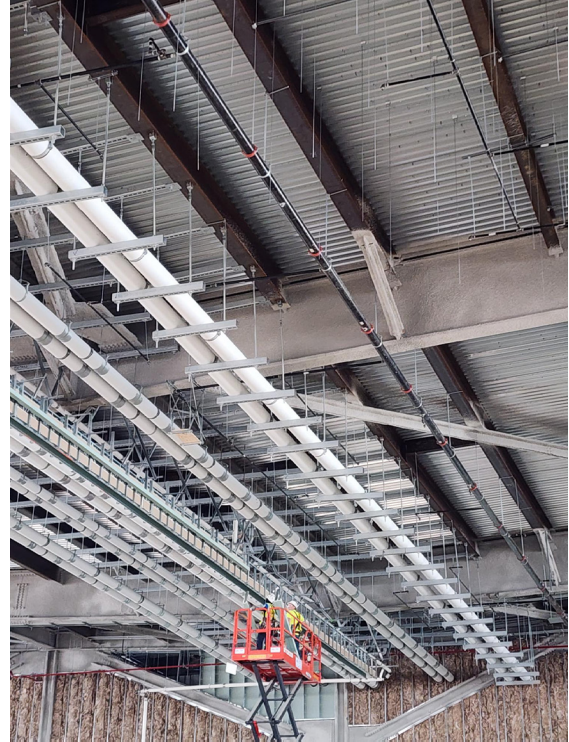
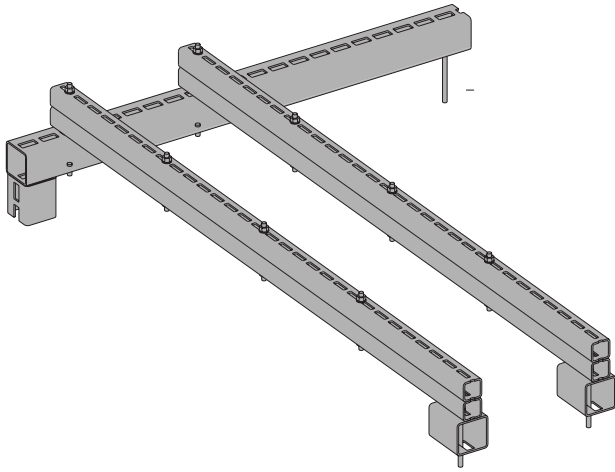
APPLICATION EXAMPLES



APPLICATION EXAMPLES



APPLICATION EXAMPLES



ORDERING INFORMATION

TABLE 1: NEXSPAN2™ H SERIES ORDERING INFORMATION



| PART # | SIZE | LENGTH | SLOT WIDTH | WEIGHT PER FOOT |
|----------|--------------|--------|------------|-----------------|
| 14NSH310 | 3 x 3 x 1/4" | 10' | 0.6875" | 8.3 lb/ft |
| 14NSH410 | 4 x 4 x 1/4" | 10' | 1.250" | 11.5 lb/ft |
| 14NSH510 | 5 x 5 x 1/4" | 10' | 1.250" | 14.7 lb/ft |
| 14NSH320 | 3 x 3 x 1/4" | 20' | 0.6875" | 8.3 lb/ft |
| 14NSH420 | 4 x 4 x 1/4" | 20' | 1.250" | 11.5 lb/ft |
| 14NSH520 | 5 x 5 x 1/4" | 20' | 1.250" | 14.7 lb/ft |

TABLE 2: NEXSPAN2™ UNIVERSAL CLAMP ORDERING INFORMATION

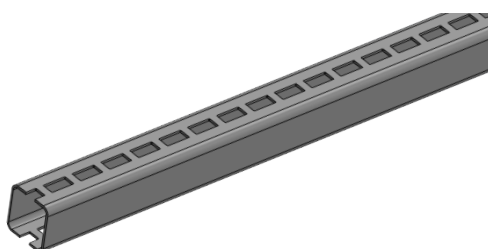


| PART # | SIZE | FITS PART # |
|---------|------|---------------------|
| 14NSHC3 | 3" | 14NSH310 & 14NSH320 |
| 14NSHC4 | 4" | 14NSH410 & 14NSH420 |
| 14NSHC5 | 5" | 14NSH510 & 14NSH520 |

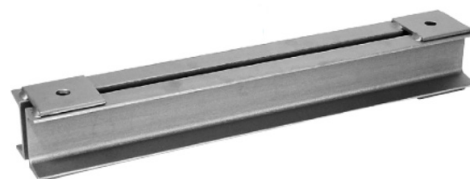
TABLE 3: SQUARE WASHER INFORMATION

| ROD DIAMETER | HOLE SIZE | WIDTH | THICKNESS |
|--------------|-----------|-------|-----------|
| 1/2" | 11/16" | 3" | 3/8" |
| 5/8" | 13/16" | 3" | 3/8" |
| 3/4" | 15/16" | 4" | 1/2" |
| 7/8" | 1-1/16" | 4" | 1/2" |
| 1" | 1-1/4" | 4" | 1/2" |

NEXSPAN2™ vs DOUBLE C-CHANNEL

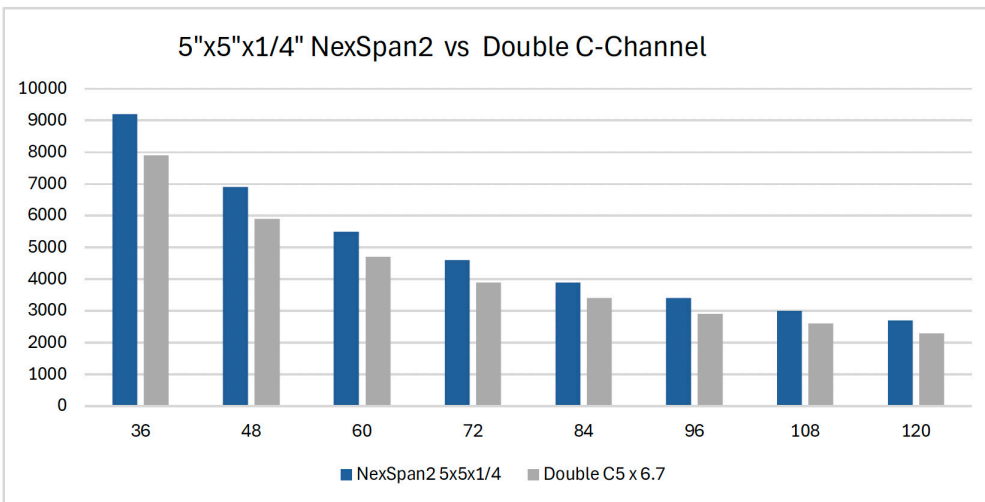
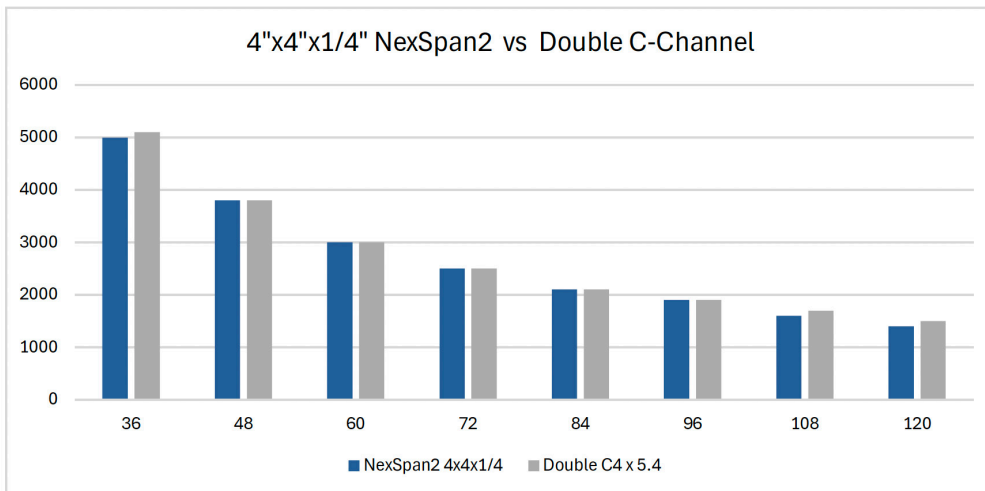
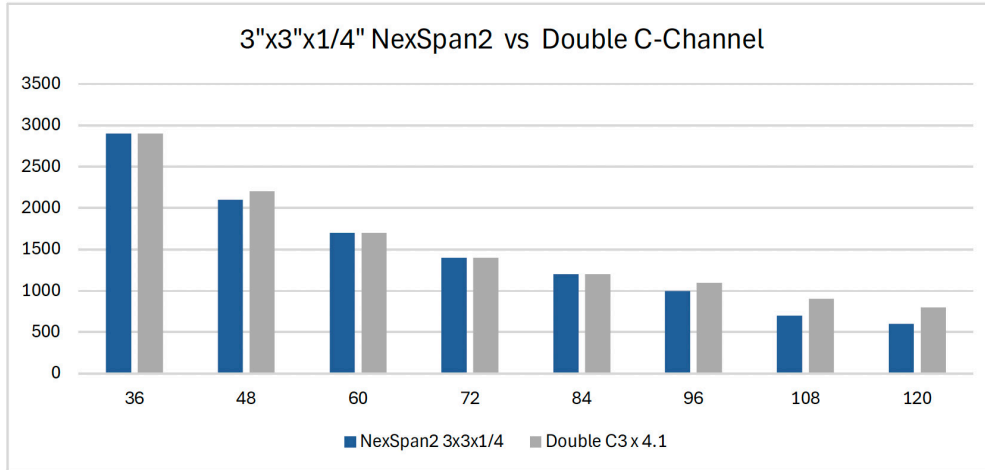


NEXSPAN2™ H SERIES



DOUBLE C-CHANNEL

NEXSPAN2™ vs DOUBLE C-CHANNEL



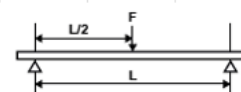
TECHNICAL SPECIFICATIONS

TABLE 4: MAXIMUM ALLOWABLE LOADS

| NEXSPAN2™ vs DOUBLE C-CHANNEL | | | | | | |
|-------------------------------|-----------------------------|-----------------|-----------------------------|-----------------|-----------------------------|-----------------|
| MAXIMUM ALLOWABLE LOAD (lbs.) | | | | | | |
| SPAN (in.) | NEXSPAN2™ 3" x 3" x 1/4" | DOUBLE C3 x 4.1 | NEXSPAN2™ 4" x 4" x 1/4" | DOUBLE C4 x 5.4 | NEXSPAN2™ 5" x 5" x 1/4" | DOUBLE C5 x 6.7 |
| 36 | 2900 | 2900 | 5000 | 5100 | 9200 | 7900 |
| 48 | 2100 | 2200 | 3800 | 3800 | 6900 | 5900 |
| 60 | 1700 | 1700 | 3000 | 3000 | 5500 | 4700 |
| 72 | 1400 | 1400 | 2500 | 2500 | 4600 | 3900 |
| 84 | 1200 | 1200 | 2100 | 2100 | 3900 | 3400 |
| 96 | 1000 | 1100 | 1900 | 1900 | 3400 | 2900 |
| 108 | 700 | 900 | 1600 | 1700 | 3000 | 2600 |
| 120 | 600 | 800 | 1400 | 1500 | 2700 | 2300 |

1. Load table is based on a simply supported beam with a concentrated load at the midspan and a minimum factor of safety of 3
2. Span is measured from the supports
3. Maximum rod size is Slot Width - 1/16"
4. $\Delta < 360/L$ at mid-span
5. HSS 3x3x1/4 compatible with rods up to 5/8"
6. HSS 4x4x1/4 and HSS 5x5x1/4 compatible with rods up to 1"

Case 2 - Concentrated Load at Center



TECHNICAL SPECIFICATIONS

TABLE 5: NEXSPAN2™ H SERIES TECHNICAL DATA*

| TUBE SIZE (in.) | t (in.) | t _{des} (in.) | SLOT WIDTH (in.) | A (in ²) | I (in ⁴) | S (in ³) |
|-----------------|---------|------------------------|------------------|----------------------|----------------------|----------------------|
| 3.00 | 0.250 | 0.233 | 0.6875 | 1.800 | 2.369 | 1.579 |
| 4.00 | 0.250 | 0.233 | 1.250 | 2.205 | 5.506 | 2.753 |
| 5.00 | 0.250 | 0.233 | 1.250 | 3.135 | 12.463 | 4.985 |

ASTM A500 Gr C. Hot Dip Galvanized per ASTM A123. Slot Lengths are 2-9/16".

| PROJECT INFORMATION | | APPROVAL STAMP |
|---------------------|--|-------------------|
| PROJECT: | | APPROVED |
| ADDRESS: | | APPROVED AS NOTED |
| CONTRACTOR: | | NOT APPROVED |
| ENGINEER: | | REMARKS: |
| SUBMITTAL DATE: | | |
| NOTES: | | |

**FOR ALL
THINGS
FASTENING.**



LOCATIONS NATIONWIDE

888.859.6060

24/7 ONLINE ORDERING

WWW.ALLFASTENERS.COM