



SAFETY CLIMB INSTALLATION INSTRUCTIONS

ALL ASSEMBLIES

Users are advised to use this product strictly as intended by the manufacturer. Allfasteners disclaims all liability for any injury or damage resulting from the incorrect installation or use of this product. By using this product, users agree to hold Allfasteners harmless against any such claims.

IMPORTANT INFORMATION

Must follow **ALL** of the below statements prior to use:

1. Prior to use, ensure all operating procedures have been read and understood.
2. This fall arrest system is only to be used by competent climbers who have experience in the safe use of the system and associated equipment.
3. Ensure all workplace OSHA requirements are identified and understood. A job hazard assessment with a safe work method ANSI/ASSE A10.48 must be completed and approved by management prior to work commencing.
4. This system requires periodic inspection and maintenance by a competent person.
5. Authorization to access any risk area must be obtained from the person in control of the worksite.
6. Only approved certified ANSI A14.3 2008 & CSA Z259.2.5-2017 equipment to be used with this system.
7. Visually inspect the system for damage prior to use. System must not be used if there is any deterioration or deformation of any components or structure to which the system is attached.
8. If the safety system is damaged or has arrested a fall, discontinue use until it has been fully inspected and re-certified by a competent person.
9. Ensure all fixings, fittings and components are securely attached. Any tightening and replacement of components must be carried out by a competent person.
10. Persons must not be allowed to work alone in fall arrest situations in case emergency rescue assistance or first aid is required.
11. All applicable ANSI Standards, OSHA Acts & Regulations, and Codes of Practice & Guidelines must be read and obeyed when using this safety system.
12. This user manual does not in any way replace the need for competent/authorized climber. Failure to follow all warnings, usage and maintenance instructions may result in serious injury or death.

SYSTEM TYPE

Allfasteners Safety Climb System

COMPLIANCE

AF Safety Climb conforms to ANSI A14.3-2008 & CSA Z259.2.5-2017

IMPORTANT NOTE

Failure to supply and/or install proprietary product in accordance with above standards and codes, specifications and instructions voids complete system certification and/or warranty.



959 LAKE ROAD MEDINA, OHIO 44056
P (440) 232-6060 F (440) 232-6062
www.allfasteners.com

SAFETY CLIMB INSTALLATION INSTRUCTIONS

PART NUMBER:	14PMSC, 14RCL & 14LMSC
ITEM NAME:	SAFETY CLIMB ASSEMBLY

Users are advised to use this product strictly as intended by the manufacturer. Allfasteners disclaims all liability for any injury or damage resulting from the incorrect installation or use of this product. By using this product, users agree to hold Allfasteners harmless against any such claims.

DATE: 5/2024

PAGE: 2

PREP BY: AF

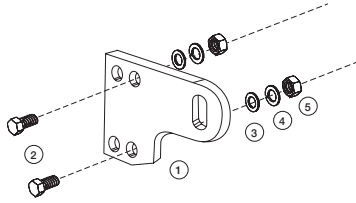


SAFETY CLIMB INSTALLATION INSTRUCTIONS

MONOPOLE ASSEMBLY

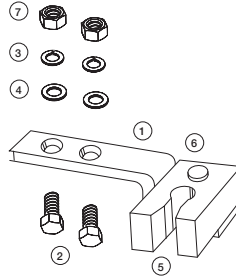
Users are advised to use this product strictly as intended by the manufacturer. Allfasteners disclaims all liability for any injury or damage resulting from the incorrect installation or use of this product. By using this product, users agree to hold Allfasteners harmless against any such claims.

PARTS LIST



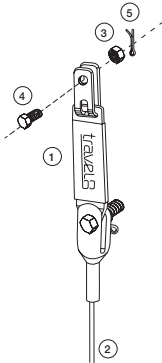
**14AFPMTB01 - Head
Bracket Energy Absorber
(1)**

PART #	DESCRIPTION
① 14AFPMTB01-U	Safety Climb Head Bracket Energy Absorber
② 2STBG12134A325	1/2-13 x 1-3/4" Struc. Hex Bolt A325 Galv.
③ 2WRWG012	1/2" Struc. Flat Washer F436 Galv.
④ 2MSLG12	1/2" Medium Split Lock Washer Galv.
⑤ 2HHNG1213G2H	1/2-13 Heavy Hex Nut A194 Gr 2H Galv.



**14AFPMIBS01 - Monopole Intermediate
Cable Guide w/ Hardware
(1) Every 25ft**

PART #	DESCRIPTION
① 14AFLMIB01-U	3/16" Bracket - A36, Galv.
② 2HCSG38114	3/8-16 x 1-1/4" Hex Cap Screw Gr A307 Galv.
③ 2MSLG38	3/8" Medium Split Lock Washer Galv.
④ 2USSG038	3/8" USS Flat Washer Galv.
⑤ 13CGBLACK	Cable Guide for 3/8" Wire rope
⑥ 4ABHR038134	3/8 x 1-3/4" Brazier Head Aluminum Rivets 1100F
⑦ 2HHNG3816G2H	3/8-16 Heavy Hex Nut A194 Gr 2H Galv.



**13SS-SL215 - Travel8 Energy
Absorber Assembly (1)**

PART #	DESCRIPTION
① 13SS-SL215	Travel8 Energy Absorber
② 14CA	3/8" Aircraft Cable 7x19 Strand Galv. or SS/FT
③ 2OF6634	M12 Hex Nut CL10 Magni 565
④ 2OF6633	M12 x 60mm Hex Head Bolt G10.9 Magni 565
⑤ 6CPS2018114	1/8" x 1-1/4" Cotter Pin Gr 304 SS

ALLFASTENERS **AF**

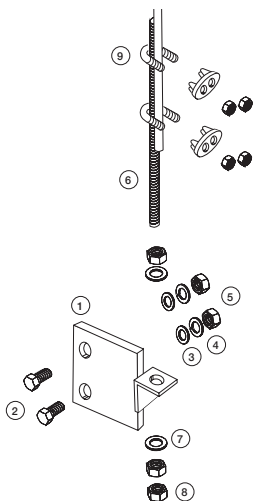
959 LAKE ROAD MEDINA, OHIO 44256
P (440) 232-6090 F (440) 232-6062
www.allfasteners.com

SAFETY CLIMB INSTALLATION INSTRUCTIONS

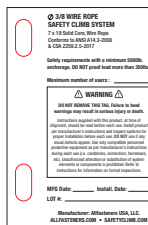
PART NUMBER:	14PMSC
ITEM NAME:	MONOPOLE SAFETY CLIMB ASSEMBLY

Users are advised to use this product strictly as intended by the manufacturer. Allfasteners disclaims all liability for any injury or damage resulting from the incorrect installation or use of this product. By using this product, users agree to hold Allfasteners harmless against any such claims.

PARTS LIST



14AFPMJHB01 - Bottom Bracket w/ Hardware (1)



6AL36020 - Aluminum Tag (1)

PART #	DESCRIPTION
① 14AFPMJHB01-U	Bottom Tensioner Bracket Galv.
② 2STBG12134A325	1/2-13x1-3/4" Struc. Hex Bolt A325 Galv.
③ 2WRWG012	1/2" Struc. Flat Washer F436 Galv.
④ 2MSLG12	1/2" Medium Split Lock Washer Galv.
⑤ 2HHNG1213G2H	1/2-13 Heavy Hex Nut A194 Gr 2H Galv.
⑥ 2TSG381000	3/8-16x10" Threaded Stud LC Galv.
⑦ 2USSG038	3/8" USS Flat Washer Galv.
⑧ 2HHNG3816G2H	3/8-16 Heavy Hex Nut A194 Gr 2H Galv.
⑨ 6WRCDF038	3/8" Wire Rope Clip Drop-Forged Galv.



959 LAKE ROAD MEDINA, OHIO 44256
P (440) 232-6090 F (440) 232-6062
www.allfasteners.com

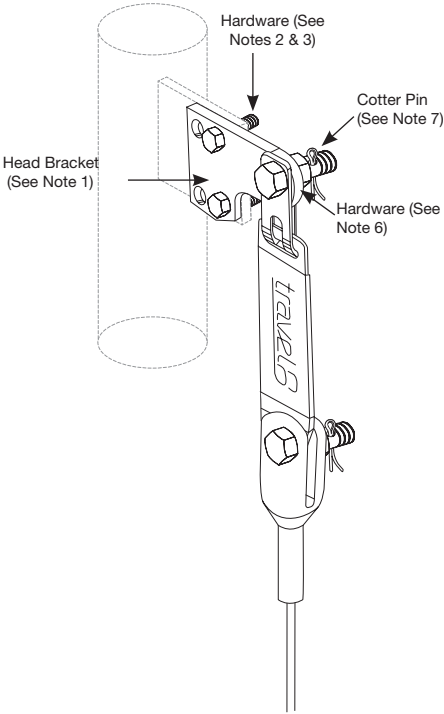
SAFETY CLIMB INSTALLATION INSTRUCTIONS

PART NUMBER:	14PMSC
ITEM NAME:	MONOPOLE SAFETY CLIMB ASSEMBLY

Users are advised to use this product strictly as intended by the manufacturer. Allfasteners disclaims all liability for any injury or damage resulting from the incorrect installation or use of this product. By using this product, users agree to hold Allfasteners harmless against any such claims.

INSTALLATION INSTRUCTIONS

TRAVEL8 & HEAD BRACKET



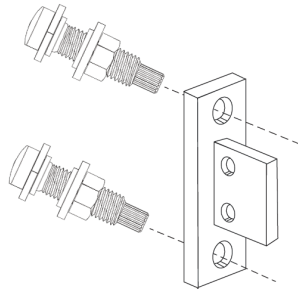
1. Attach Head Bracket (14AFPMTB01-U) to existing anchor point on tower using 1/2" Structural Bolts (2STBG12134A325), 1/2" Flat Washers (2WRWG012), 1/2" Split Lock Washers and 1/2" Hex Nuts (2HHNG1213G2H).
2. Thread one (1) 1/2" Structural Bolt (2STBG12134A325) through one hole of Head Bracket (14AFPMTB01-U).
3. On the opposite side of Head Bracket (14AFPMTB01-U), thread one (1) 1/2" Flat Washer (2WRWG012), one (1) 1/2" Split Lock Washer and one (1) 1/2" Hex Nut (2HHNG1213G2H) over 1/2" Structural Bolt (2STBG12134A325).
4. Repeat steps 2 & 3 until tightened snug tight.
5. If the structure does not have an existing anchor spot, see **SPECIAL NOTE** below.
6. Connect Travel8 Assembly (13SS-SL215) to Head Bracket (14AFPMTB01-U) using M12 Hex Bolt (2OF6633) and M12 Hex Nut (2OF6634).
7. Ensure Cotter Pin (6CPS2018114) is installed & bent to prevent loosening of nut.

SPECIAL NOTE

If the structure does not have an existing anchor point to attach to the Head Bracket, proceed with the following:

1. Install 14HABNG2 Mounting Bracket using two (2) M20 x 32 NexGen2™ OneSide Bolts according to NexGen2™ installation instructions.
2. Make sure NexGen2™ OneSide Bolts are in place and are tight. Must be tensioned by shearing off the tip using the approved installation tools.
3. Make sure mounting bracket bolts are in place and are tight (turn of nut).

Note: Ensure to apply cold galvanizing to hole.



ALLFASTENERS **AF**

959 LAKE ROAD MEDINA, OHIO 44256
P (440) 232-6090 F (440) 232-6062
www.allfasteners.com

SAFETY CLIMB INSTALLATION INSTRUCTIONS

PART NUMBER:	14PMSC
ITEM NAME:	MONOPOLE SAFETY CLIMB ASSEMBLY

Users are advised to use this product strictly as intended by the manufacturer. Allfasteners disclaims all liability for any injury or damage resulting from the incorrect installation or use of this product. By using this product, users agree to hold Allfasteners harmless against any such claims.

DATE: 5/2024

PAGE: 6

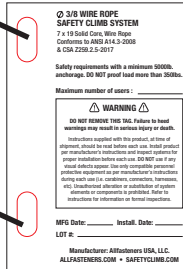
PREP BY: AF

INSTALLATION INSTRUCTIONS

ALUMINUM TAG

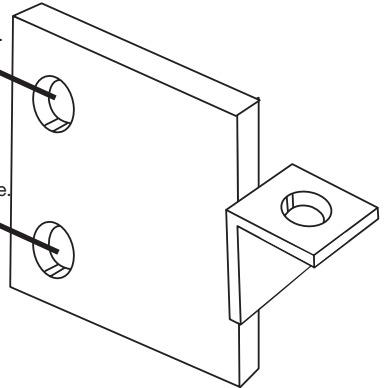
Mount to bottom
bracket.

Mount to bottom
bracket.



Mount here.

Mount here.



1. Mount Aluminum Tag (6AL36020) to Bottom Bracket (14AFPMJHB01) by using 1/2" Structural Bolts (2STBG12134A325).
2. Align holes on Aluminum Tag *6AL36020) with the holes on Bottom Bracket (14AFPMJHB01).
3. Thread one (1) 1/2" Structural Bolt (2STBG12134A325) through each hole and tighten with one (1) 1/2" Flat Washers (2WRWG012), 1/2" Split Lock Washer (2MSLG12), and 1/2" Heavy Hex Nut (2HHNG1213G2H) on the opposite side of the bracket.
4. Stamp on install date in corresponding locations on the tag.

ALLFASTENERS **AF**

959 LAKE ROAD MEDINA, OHIO 44256
P (440) 232-6090 F (440) 232-6062
www.allfasteners.com

SAFETY CLIMB INSTALLATION INSTRUCTIONS

PART NUMBER:	14PMSC
ITEM NAME:	MONOPOLE SAFETY CLIMB ASSEMBLY

Users are advised to use this product strictly as intended by the manufacturer. Allfasteners disclaims all liability for any injury or damage resulting from the incorrect installation or use of this product. By using this product, users agree to hold Allfasteners harmless against any such claims.

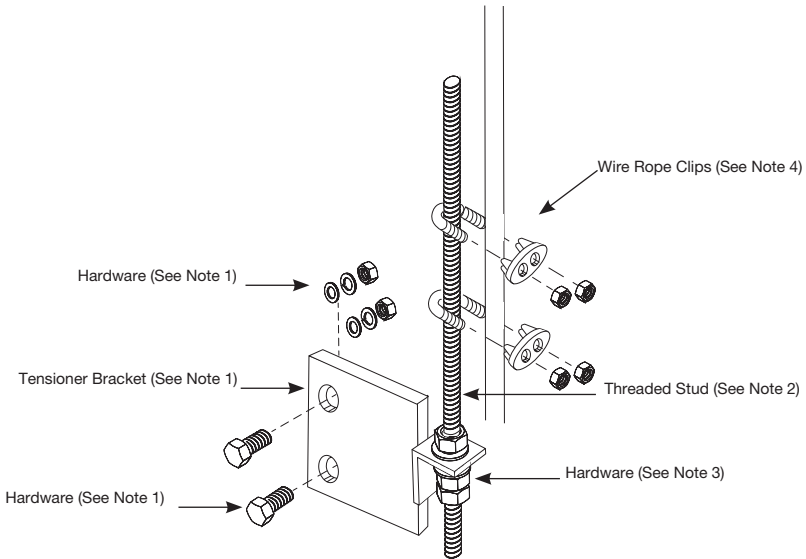
DATE: 5/2024

PAGE: 7

PREP BY: AF

INSTALLATION INSTRUCTIONS

BOTTOM BRACKET



1. Bolt Bottom Tensioner Bracket (14AFPMJHB01-U) to existing tab on the tower using 1/2" Structural Bolts (2STBG12134A325), 1/2" Structural Flat Washers (2WRWG012), 1/2" Split Lock Washer (2MSLG12), and 1/2 Heavy Hex Nut (2HHNG1213G2H).
2. Insert the 3/8" Threaded Stud (2TSG381000) through the hole on the tab extension of the Bottom Tensioner Bracket (14AFPMJHB01-U).
3. Thread one (1) 3/8" USS Flat Washer (2USSG038) and one (1) 3/8" Hex Nut (2HHNG3816G2H) from the top of the threaded rod, and one (1) 3/8" USS Flat Washer (2USSG038) and two (2) 3/8" Hex Nuts (2HHNG3816G2H) from the bottom. Do not over tension the nuts before ensuring wire rope is snug tight. See next page for more details.
4. Attach the 14CA Wire Rope Assembly to the threaded rod using two (2) Wire Rope Clips (6WRCDF038) - alternating tightening between the two clips to ensure proper installation.

ALLFASTENERS **AF**

959 LAKE ROAD MEDINA, OHIO 44256
P (440) 232-6090 F (440) 232-6062
www.allfasteners.com

SAFETY CLIMB INSTALLATION INSTRUCTIONS

PART NUMBER:	14PMSC
ITEM NAME:	MONOPOLE SAFETY CLIMB ASSEMBLY

Users are advised to use this product strictly as intended by the manufacturer. Allfasteners disclaims all liability for any injury or damage resulting from the incorrect installation or use of this product. By using this product, users agree to hold Allfasteners harmless against any such claims.

DATE: 5/2024

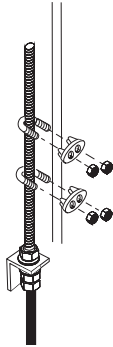
PAGE: 8

PREP BY: AF

INSTALLATION INSTRUCTIONS

BOTTOM BRACKET

WIRE ROPE ASSEMBLY TO BE PRE-TENSIONED SNUG TIGHT TO PROTECT THE USER IN CASE OF A FALL EVENT, AND TO ENSURE NO DAMAGE TO THE WIRE ROPE.



1. Pull the wire rope snug tight (as tight as possible) before installing the wire rope clips.
2. Tighten all nuts until proper tension is achieved.
3. Cut excess wire rope, and install cold shrink sleeve to base of wire rope assembly.

COLD SHRINK SLEEVE

The cold shrink sleeve is a **REQUIREMENT FOR ALL SAFETY CLIMB SYSTEMS.**

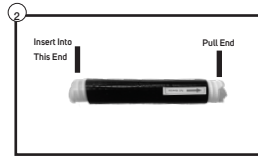
The sleeve is designed to provide a covered end to the bottom of the wire rope assembly - leaving no exposed wire.

Fits all Allfasteners Safety Climb Systems & Wire Rope Assemblies.

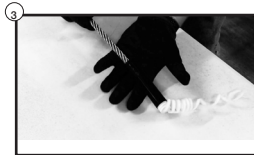
*Please note that inserting the wire rope into the wrong end of the cold shrink sleeve will result in improper installation, causing loose or frayed ends to remain exposed.



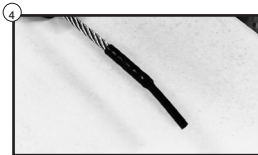
1. With the Safety Climb Assembly properly installed according to the instructions in this booklet, cut the wire rope roughly 6-10 inches below the bottom bracket.



2. Place the wire rope into the cold shrink sleeve at the end opposite the "pull direction" sticker.



3. Pull the sleeve's interior wire away from the wire rope. This will initiate the sleeve wrapping. If sleeve is not wrapping, ensure the wire rope is inserted into the correct end of the sleeve.



4. Continue to pull the line until the entire sleeve has covered the end of the wire.

ALLFASTENERS **AF**

959 LAKE ROAD MEDINA, OHIO 44256
P (440) 232-6060 F (440) 232-6062
www.allfasteners.com

SAFETY CLIMB INSTALLATION INSTRUCTIONS

PART NUMBER:	14PMSC
ITEM NAME:	MONOPOLE SAFETY CLIMB ASSEMBLY

Users are advised to use this product strictly as intended by the manufacturer. Allfasteners disclaims all liability for any injury or damage resulting from the incorrect installation or use of this product. By using this product, users agree to hold Allfasteners harmless against any such claims.

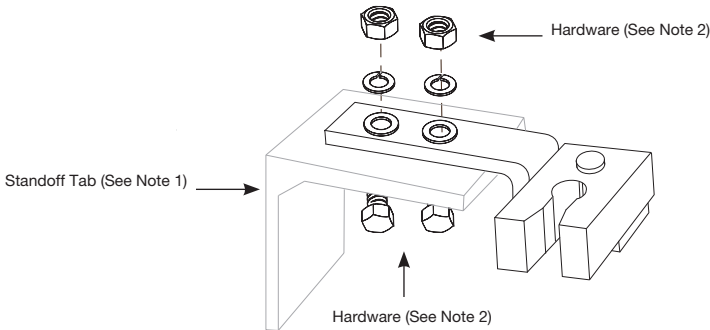
DATE: 5/2024

PAGE: 9

PREP BY: AF

INSTALLATION INSTRUCTIONS

INTERMEDIATE BRACKETS



1. Place Intermediate Bracket (14AFLMIB01-U) atop the standoff tab.
2. Threaded one (1) 3/8" Hex Cap Screw (2HCSG38114) through the Bracket (14AFLMIB01-U) and tab.
3. Thread on one (1) 3/8" USS Flat Washer (2USSG038), 3/8" Split Lock Washer (2MSLG038) and 3/8" Hex Nut (2HHNG3816G2H).
4. Repeat steps 2 & 3 for second hole.
5. Feed Wire Rope Assembly (14CA) through 3/8" Cable Guide (13CGBLACK).
6. Install lock pins on cable guides where necessary to prevent the wire rope from being removed. In cases where the climbing path is clear, lock pins on cable guides are generally unnecessary.

IMPORTANT NOTES

Intermediate Brackets must be installed every 25ft or less, alternating the opening direction of the bracket from left to right along the tower.

Adhere to the tower owners' and carriers' guidelines for wire rope routing around or through existing fixtures or obstructions.

Employ extra cable guides and secure with locking pins as necessary near obstructions or mounts to prevent the wire rope from touching them.

Improper restraint or contact with the structure or mounts could damage the wire rope.

ALLFASTENERS **AF**

959 LAKE ROAD MEDINA, OH 44026
P (440) 232-6060 F (440) 232-6062
www.allfasteners.com

SAFETY CLIMB INSTALLATION INSTRUCTIONS

PART NUMBER:	14PMSC
ITEM NAME:	MONOPOLE SAFETY CLIMB ASSEMBLY

Users are advised to use this product strictly as intended by the manufacturer. Allfasteners disclaims all liability for any injury or damage resulting from the incorrect installation or use of this product. By using this product, users agree to hold Allfasteners harmless against any such claims.

DATE: 5/2024

PAGE: 10

PREP BY: AF

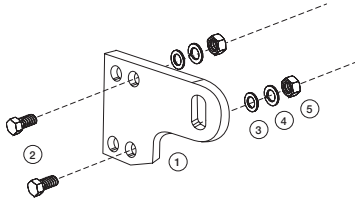


SAFETY CLIMB INSTALLATION INSTRUCTIONS

ROUND LEG ASSEMBLY

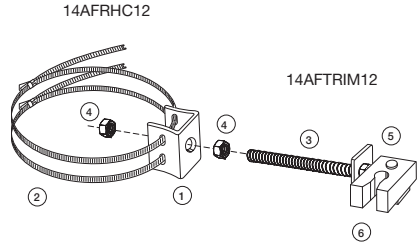
Users are advised to use this product strictly as intended by the manufacturer. Allfasteners disclaims all liability for any injury or damage resulting from the incorrect installation or use of this product. By using this product, users agree to hold Allfasteners harmless against any such claims.

PARTS LIST



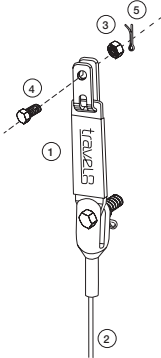
14AFPMTB01 - Head Bracket Energy Absorber (1)

PART #	DESCRIPTION
① 14AFPMTB01-U	Safety Climb Head Bracket Energy Absorber
② 2STBG12134A325	1/2-13 x 1-3/4" Struc. Hex Bolt A325 Galv.
③ 2WRWG012	1/2" Struc. Flat Washer F436 Galv.
④ 2MSLG12	1/2" Medium Split Lock Washer Galv.
⑤ 2HHNG1213G2H	1/2-13 Heavy Hex Nut A194 Gr 2H Galv.



14AFRHC12 & 14AFTRIM12 - Round Leg Intermediate Cable Guide w/ Hardware (1) Every 25ft

PART #	DESCRIPTION
① 14AFCMB01-U	Clamp On Intermediate Bracket
② 14QRCSS188200400	Quick Release Clamp Stainless Steel
③ 2TSG12600	1/2-13 x 6" Threaded Stud LC Galv.
④ 2HHNG1213G2H	1/2-13 Heavy Hex Nut A194 Gr 2H Galv.
⑤ 4ABHR038134	3/8 x 1-3/4 Brazier Head Alum Rivets 1100F
⑥ 13CGBLACK	Cable Guide for 3/8 Wire Rope Black EPDM



13SS-SL215 - Travel8 Energy Absorber Assembly (1)

PART #	DESCRIPTION
① 13SS-SL215	Travel8 Energy Absorber
② 14CA	3/8" Aircraft Cable 7x19 Strand Galv. or SS/FT
③ 2OF6634	M12 Hex Nut CL10 Magni 565
④ 2OF6633	M12 x 60mm Hex Head Bolt G10.9 Magni 565
⑤ 6CPS2018114	1/8" x 1-1/4" Cotter Pin Gr 304 SS

ALLFASTENERS **AF**

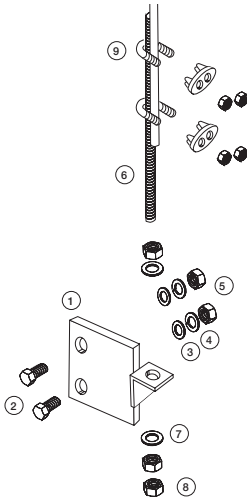
959 LAKE ROAD MEDINA, OHIO 44256
P (440) 232-6090 F (440) 232-6062
www.allfasteners.com

SAFETY CLIMB INSTALLATION INSTRUCTIONS

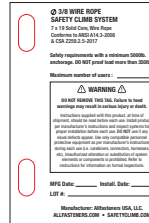
PART NUMBER:	14RCL
ITEM NAME:	ROUND LEG SAFETY CLIMB ASSEMBLY

Users are advised to use this product strictly as intended by the manufacturer. Allfasteners disclaims all liability for any injury or damage resulting from the incorrect installation or use of this product. By using this product, users agree to hold Allfasteners harmless against any such claims.

PARTS LIST



14AFPMJHB01 - Bottom Bracket w/ Hardware (1)



6AL36020 - Aluminum Tag (1)

PART #	DESCRIPTION
① 14AFPMJHB01-U	Bottom Tensioner Bracket Galv.
② 2STBG12134A325	1/2-13x1-3/4" Struc. Hex Bolt A325 Galv.
③ 2WRWG012	1/2" Struc. Flat Washer F436 Galv.
④ 2MSLG12	1/2" Medium Split Lock Washer Galv.
⑤ 2HHNG1213G2H	1/2-13 Heavy Hex Nut A194 Gr 2H Galv.
⑥ 2TSG381000	3/8-16x10" Threaded Stud LC Galv.
⑦ 2USSG038	3/8" USS Flat Washer Galv.
⑧ 2HHNG3816G2H	3/8-16 Heavy Hex Nut A194 Gr 2H Galv.
⑨ 6WRCDF038	3/8" Wire Rope Clip Drop-Forged Galv.

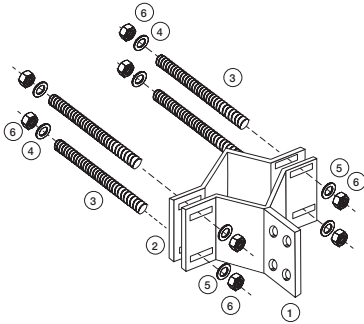
SAFETY CLIMB INSTALLATION INSTRUCTIONS

ALLFASTENERS **AF**
 959 LAKE ROAD MEDINA, OHIO 44256
 P (440) 232-6090 F (440) 232-6062
 www.allfasteners.com

PART NUMBER:	14PMSC
ITEM NAME:	MONOPOLE SAFETY CLIMB ASSEMBLY

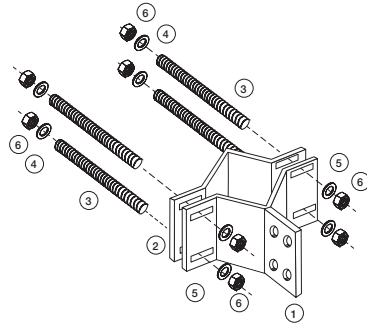
Users are advised to use this product strictly as intended by the manufacturer. Allfasteners disclaims all liability for any injury or damage resulting from the incorrect installation or use of this product. By using this product, users agree to hold Allfasteners harmless against any such claims.

PARTS LIST



**14AFVB1 - Round Leg Safety Climb
Top Bracket Top Galvanized with
Hardware
(1)**

	PART #	DESCRIPTION
①	14AFVB1-UA	VB1 Weldment Bracket Unassembled Galv.
②	14AFVB1-UB	2" to 4" Round Leg SC Backing Plate Galv.
③	2TSG58700	5/8-11 x 7" Threaded Stud Galv.
④	2WRWG058	5/8" Struc. Flat Washer F436 Galv.
⑤	2MSLG58	5/8" Medium Split Lock Washer Galv.
⑥	2HHNG5811G2H	5/8-11" Heavy Hex Nut A194 Gr 2H Galv.



**14AFVB2 - Round Leg Safety Climb
Bottom Bracket Galvanized with
Hardware
(1)**

	PART #	DESCRIPTION
①	14AFVB2-UA	VB2 Weldment Bracket Unassembled Galv.
②	14AFVB2-UB	4" to 8" Round Leg SC Backing Plate Galv.
③	2TSG581110	5/8-11 x 10" Threaded Stud Galv.
④	2WRWG058	5/8" Struc. Flat Washer F436 Galv.
⑤	2MSLG58	5/8" Medium Split Lock Washer Galv.
⑥	2HHNG5811G2H	5/8-11" Heavy Hex Nut A194 Gr 2H Galv.



959 LAKE ROAD MEDINA, OHIO 44256
P (440) 232-6060 F (440) 232-6062
www.allfasteners.com

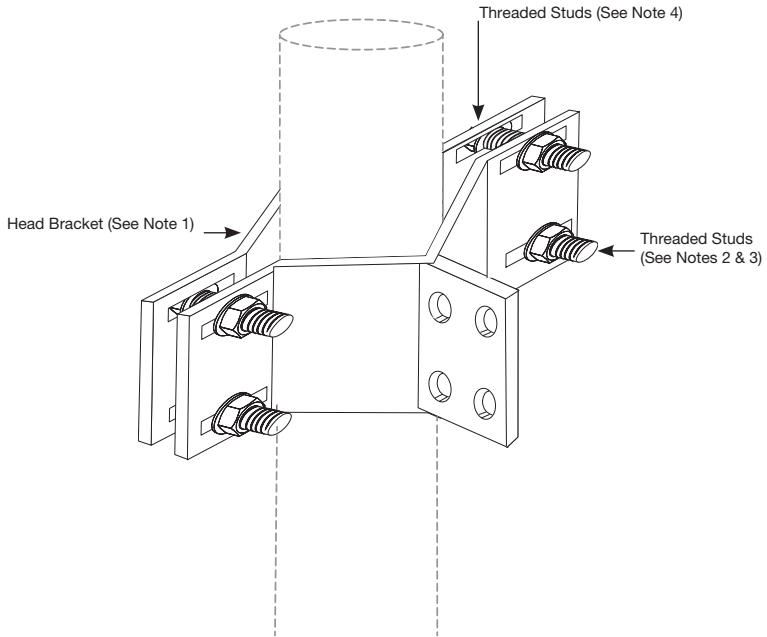
SAFETY CLIMB INSTALLATION INSTRUCTIONS

PART NUMBER:	14RCL
ITEM NAME:	ROUND LEG SAFETY CLIMB ASSEMBLY

Users are advised to use this product strictly as intended by the manufacturer. Allfasteners disclaims all liability for any injury or damage resulting from the incorrect installation or use of this product. By using this product, users agree to hold Allfasteners harmless against any such claims.

INSTALLATION INSTRUCTIONS

VB1 HEAD BRACKET



ATTACHING 14AFVB1 HEAD BRACKET TO STRUCTURE

1. Attach 14AFVB1 Head Bracket to tower leg by placing 14AFVB1-UA & 14AFVB1-UB around the structure, as seen above.
2. Feed four (4) Thread Studs (2TSG58700) through the corresponding holes in 14AFVB1-UA through to 14AFVB1-UB to stabilize the bracket.
3. Fasten the threaded studs by using 5/8" flat washer (2WRWG058), 5/8" Split Lock Washer (2MSLG58), and 5/8" Heavy Hex Nut (2HHNG5811G2H) onto the threaded stud protruding out of 14AFVB1-UA.
4. Fastening the same threaded stud, fasten using 5/8" flat washer (2WRWG058), 5/8" Split Lock Washer (2MSLG58), and 5/8" Heavy Hex Nut (2HHNG5811G2H) onto the threaded stud protruding out of 14AFVB1-UB.
5. Repeat steps 3 & 4 for the remaining threaded studs.
6. Tension nuts on each side of 14AFVB1 Head Bracket to proper tension.

ALLFASTENERS **AF**

959 LAKE ROAD MEDINA, OHIO 44026
P (440) 232-6060 F (440) 232-6062
www.allfasteners.com

SAFETY CLIMB INSTALLATION INSTRUCTIONS

PART NUMBER:	14RCL
ITEM NAME:	ROUND LEG SAFETY CLIMB ASSEMBLY

Users are advised to use this product strictly as intended by the manufacturer. Allfasteners disclaims all liability for any injury or damage resulting from the incorrect installation or use of this product. By using this product, users agree to hold Allfasteners harmless against any such claims.

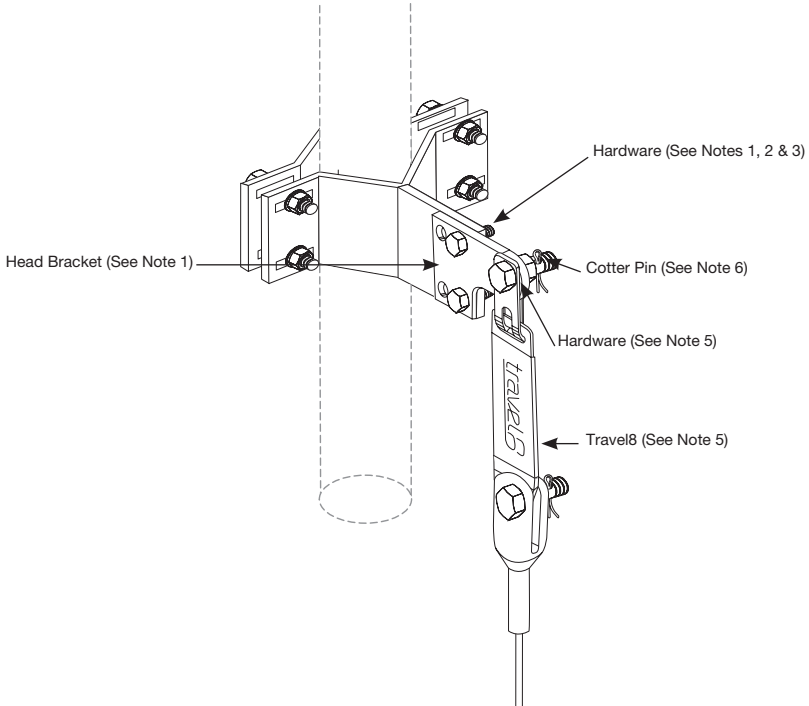
DATE: 5/2024

PAGE: 15

PREP BY: AF

INSTALLATION INSTRUCTIONS

VB1 HEAD BRACKET



ATTACHING 14AFPMTB01 HEAD BRACKET TO 14AFVB1 HEAD BRACKET

1. Attach Head Bracket (14AFPMTB01-U) to VB1 Head Bracket (14AFVB1) using 1/2" Structural Bolts (2STBG12134A325), 1/2" Flat Washers (2WRWG012), 1/2" Split Lock Washers and 1/2" Hex Nuts (2HHNG1213G2H).
2. Thread one (1) 1/2" Structural Bolt (2STBG12134A325) through the top hole of Head Bracket (14AFPMTB01-U) passing through the top hole of the extended tab of the VB1 Head Bracket (14AFVB1).
3. On the opposite side of Head Bracket (14AFPMTB01-U) & VB1 Head Bracket (14AFVB1), thread one (1) 1/2" Flat Washer (2WRWG012), one (1) 1/2" Split Lock Washer and one (1) 1/2" Hex Nut (2HHNG1213G2H) over 1/2" Structural Bolt (2STBG12134A325).
4. Repeat steps 2 & 3 until tightened snug tight.
5. Connect Travel8 Assembly (13SS-SL215) to Head Bracket (14AFPMTB01-U) using M12 Hex Bolt (20F6633) and M12 Hex Nut (20F6634).
6. Ensure Cotter Pin (6CPS2018114) is installed & bent to prevent loosening of nut.

ALLFASTENERS **AF**

959 LAKE ROAD MEDINA, OHIO 44256
P (440) 232-6060 F (440) 232-6062
www.allfasteners.com

SAFETY CLIMB INSTALLATION INSTRUCTIONS

PART NUMBER:	14RCL
ITEM NAME:	ROUND LEG SAFETY CLIMB ASSEMBLY

Users are advised to use this product strictly as intended by the manufacturer. Allfasteners disclaims all liability for any injury or damage resulting from the incorrect installation or use of this product. By using this product, users agree to hold Allfasteners harmless against any such claims.

DATE: 5/2024

PAGE: 16

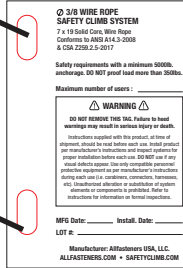
PREP BY: AF

INSTALLATION INSTRUCTIONS

ALUMINUM TAG

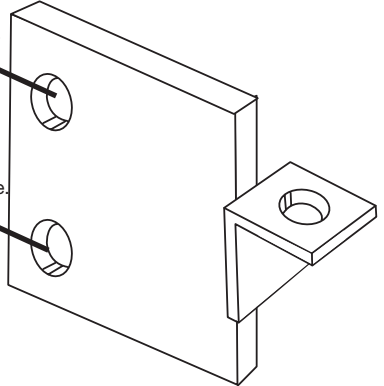
Mount to bottom
bracket.

Mount to bottom
bracket.



Mount here.

Mount here.



1. Mount Aluminum Tag (6AL36020) to Bottom Bracket (14AFPMJHB01) by using 1/2" Structural Bolts (2STBG12134A325).
2. Align holes on Aluminum Tag *6AL36020) with the holes on Bottom Bracket (14AFPMJHB01).
3. Thread one (1) 1/2" Structural Bolt (2STBG12134A325) through each hole and tighten with one (1) 1/2" Flat Washers (2WRWG012), 1/2" Split Lock Washer (2MSLG12), and 1/2" Heavy Hex Nut (2HHNG1213G2H) on the opposite side of the bracket.
4. Stamp on install date in corresponding locations on the tag.

ALLFASTENERS [®] **AF**

959 LAKE ROAD MEDINA, OHIO 44256
P (440) 232-6090 F (440) 232-6062
www.allfasteners.com

SAFETY CLIMB INSTALLATION INSTRUCTIONS

PART NUMBER:	14RCL
ITEM NAME:	ROUND LEG SAFETY CLIMB ASSEMBLY

Users are advised to use this product strictly as intended by the manufacturer. Allfasteners disclaims all liability for any injury or damage resulting from the incorrect installation or use of this product. By using this product, users agree to hold Allfasteners harmless against any such claims.

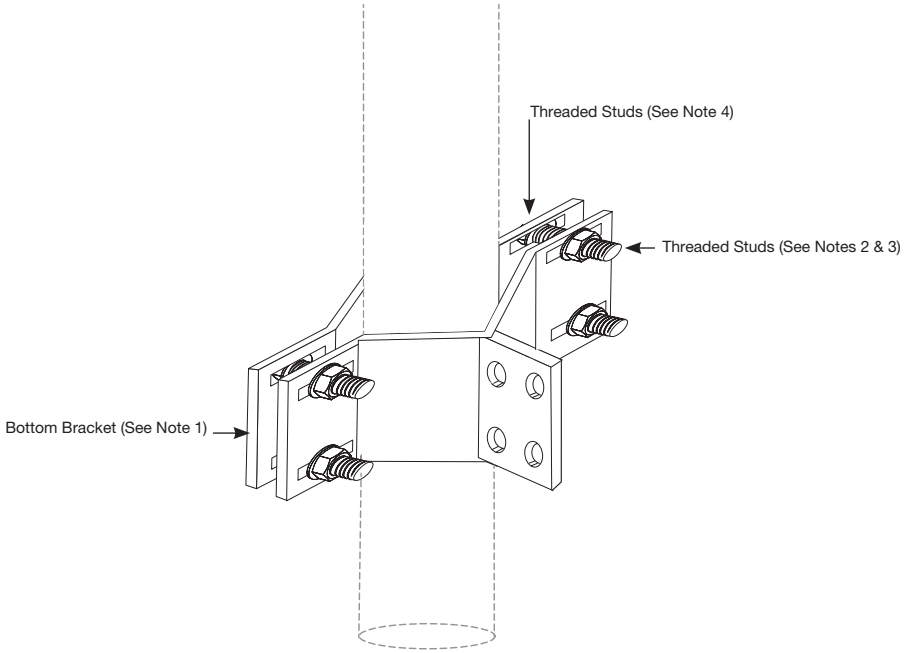
DATE: 5/2024

PAGE: 17

PREP BY: AF

INSTALLATION INSTRUCTIONS

BOTTOM BRACKET



1. Attach 14AFVB2 Bottom Bracket to tower leg by placing 14AFVB2-UA & 14AFVB2-UB around the structure, as seen above.
2. Feed four (4) Thread Studs (2TSG581110) through the corresponding holes in 14AFVB2-UA through to 14AFVB2-UB to stabilize the bracket.
3. Fasten the threaded studs by using 5/8" flat washer (2WRWG058), 5/8" Split Lock Washer (2MSLG58), and 5/8" Heavy Hex Nut (2HHNG5811G2H) onto the threaded stud protruding out of 14AFVB2-UA.
4. Fastening the same threaded stud, fasten using 5/8" flat washer (2WRWG058), 5/8" Split Lock Washer (2MSLG58), and 5/8" Heavy Hex Nut (2HHNG5811G2H) onto the threaded stud protruding out of 14AFVB2-UB.
5. Repeat steps 3 & 4 for the remaining threaded studs.
6. Tension nuts on each side of 14AFVB2 Head Bracket to proper tension.

ALLFASTENERS **AF**

959 LAKE ROAD MEDINA, OHIO 44256
P (440) 232-6090 F (440) 232-6062
www.allfasteners.com

SAFETY CLIMB INSTALLATION INSTRUCTIONS

PART NUMBER:	14RCL
ITEM NAME:	ROUND LEG SAFETY CLIMB ASSEMBLY

Users are advised to use this product strictly as intended by the manufacturer. Allfasteners disclaims all liability for any injury or damage resulting from the incorrect installation or use of this product. By using this product, users agree to hold Allfasteners harmless against any such claims.

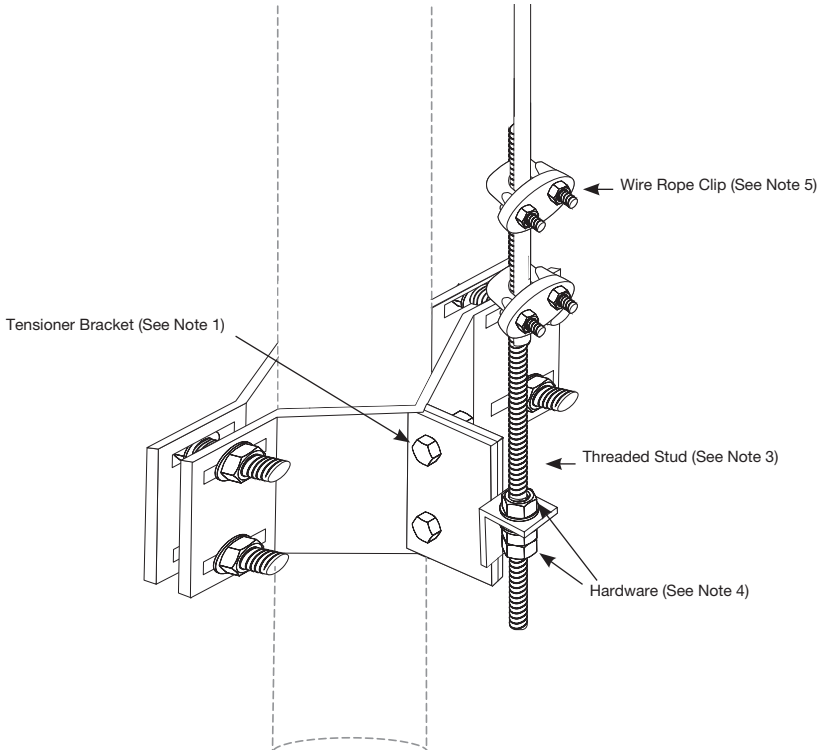
DATE: 5/2024

PAGE: 18

PREP BY: AF

INSTALLATION INSTRUCTIONS

BOTTOM BRACKET



1. Bolt Bottom Tensioner Bracket (14AFPMJHB01-U) to existing tab on 14AFVB2 using 1/2" Structural Bolts (2STBG12134A325), 1/2" Structural Flat Washers (2WRWG012), 1/2" Split Lock Washer (2MSLG12), and 1/2 Heavy Hex Nut (2HHNG1213G2H).
2. Insert the 3/8" Threaded Stud (2TSG381000) through the hole on the tab extension of the Bottom Tensioner Bracket (14AFPMJHB01-U).
3. Thread one (1) 3/8" USS Flat Washer (2USSG038) and one (1) 3/8" Hex Nut (2HHNG3816G2H) from the top of the threaded rod, and one (1) 3/8" USS Flat Washer (2USSG038) and two (2) 3/8" Hex Nuts (2HHNG3816G2H) from the bottom. Do not over tension the nuts before ensuring wire rope is snug tight. See next page for more details.
4. Attach the 14CA Wire Rope Assembly to the threaded rod using two (2) Wire Rope Clips (6WRCDF038) - alternating tensions between the two clips to ensure proper installation.

ALLFASTENERS **A**

959 LAKE ROAD MEDINA, OHIO 44256
P (440) 232-6060 F (440) 232-6062
www.allfasteners.com

SAFETY CLIMB INSTALLATION INSTRUCTIONS

PART NUMBER:	14RCL
ITEM NAME:	ROUND LEG SAFETY CLIMB ASSEMBLY

Users are advised to use this product strictly as intended by the manufacturer. Allfasteners disclaims all liability for any injury or damage resulting from the incorrect installation or use of this product. By using this product, users agree to hold Allfasteners harmless against any such claims.

DATE: 5/2024

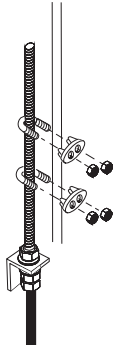
PAGE: 19

PREP BY: AF

INSTALLATION INSTRUCTIONS

BOTTOM BRACKET

WIRE ROPE ASSEMBLY TO BE PRE-TENSIONED SNUG TIGHT TO PROTECT THE USER IN CASE OF A FALL EVENT, AND TO ENSURE NO DAMAGE TO THE WIRE ROPE.



1. Pull the wire rope snug tight (as tight as possible) before installing the wire rope clips.
2. Tighten all nuts until proper tension is achieved.
3. Cut excess wire rope, and install cold shrink sleeve to base of wire rope assembly.

COLD SHRINK SLEEVE

The cold shrink sleeve is a **REQUIREMENT FOR ALL SAFETY CLIMB SYSTEMS.**

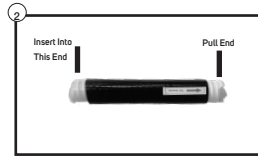
The sleeve is designed to provide a covered end to the bottom of the wire rope assembly - leaving no exposed wire.

Fits all Allfasteners Safety Climb Systems & Wire Rope Assemblies.

*Please note that inserting the wire rope into the wrong end of the cold shrink sleeve will result in improper installation, causing loose or frayed ends to remain exposed.



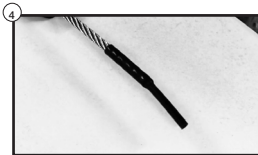
1. With the Safety Climb Assembly properly installed according to the instructions in this booklet, cut the wire rope roughly 6-10 inches below the bottom bracket.



2. Place the wire rope into the cold shrink sleeve at the end opposite the "pull direction" sticker.



3. Pull the sleeve's interior wire away from the wire rope. This will initiate the sleeve wrapping. If sleeve is not wrapping, ensure the wire rope is inserted into the correct end of the sleeve.



4. Continue to pull the line until the entire sleeve has covered the end of the wire.

ALLFASTENERS **AF**

959 LAKE ROAD MEDINA, OHIO 44256
P (440) 232-6060 F (440) 232-6062
www.allfasteners.com

SAFETY CLIMB INSTALLATION INSTRUCTIONS

PART NUMBER:	14RCL
ITEM NAME:	ROUND LEG SAFETY CLIMB ASSEMBLY

Users are advised to use this product strictly as intended by the manufacturer. Allfasteners disclaims all liability for any injury or damage resulting from the incorrect installation or use of this product. By using this product, users agree to hold Allfasteners harmless against any such claims.

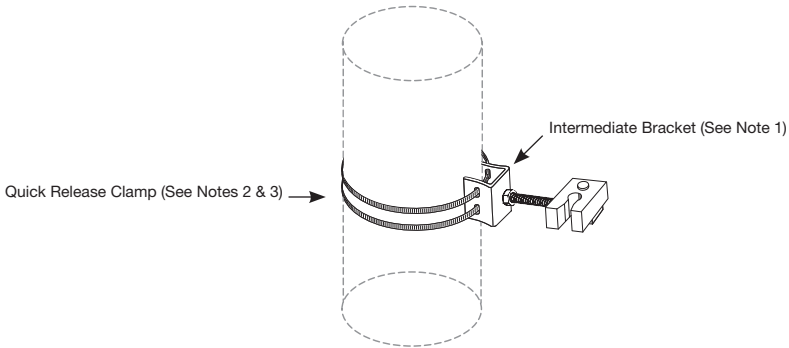
DATE: 5/2024

PAGE: 20

PREP BY: AF

INSTALLATION INSTRUCTIONS

INTERMEDIATE BRACKETS



1. Attached 14AFTRIM12 to 14AFRHC12 by feeding Threaded Stud (2TSG12600) through Clamp-on Bracket (14AFCMIB01-U) attached to Quick Release Clamp (14QRCSS188200400) - using one (1) 1/2" Heavy Hex Nut (2HHNG1213G2H) on each side of the bracket. Apply proper tension.
2. Wrap assembled Quick Release Clamp (14QRCSS188200400) around tower structure.
3. Tighten fastener on Quick Release Clamp (14QRCSS188200400) until fastened tight around the structure.
4. Feed Wire Rope Assembly (14CA) through 3/8" Cable Guide (13CGBLACK).
5. Install lock pins on cable guides where necessary to prevent the wire rope from being removed. In cases where the climbing path is clear, lock pins on cable guides are generally unnecessary.

IMPORTANT NOTES

Intermediate Brackets must be installed every 25ft or less, alternating the opening direction of the bracket from left to right along the tower.

Adhere to the tower owners' and carriers' guidelines for wire rope routing around or through existing fixtures or obstructions.

Employ extra cable guides and secure with locking pins as necessary near obstructions or mounts to prevent the wire rope from touching them.

Improper restraint or contact with the structure or mounts could damage the wire rope.

ALLFASTENERS **AF**

959 LAKE ROAD MEDINA, OHIO 44256
P (440) 232-6090 F (440) 232-6062
www.allfasteners.com

SAFETY CLIMB INSTALLATION INSTRUCTIONS

PART NUMBER:	14RCL
ITEM NAME:	ROUND LEG SAFETY CLIMB ASSEMBLY

Users are advised to use this product strictly as intended by the manufacturer. Allfasteners disclaims all liability for any injury or damage resulting from the incorrect installation or use of this product. By using this product, users agree to hold Allfasteners harmless against any such claims.

DATE: 5/2024

PAGE: 21

PREP BY: AF

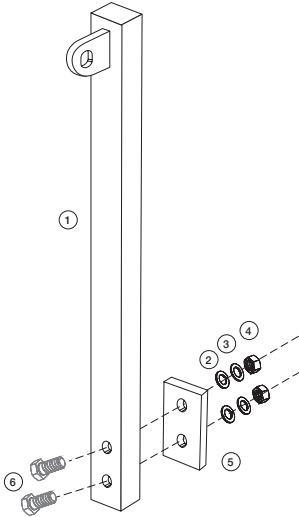


SAFETY CLIMB INSTALLATION INSTRUCTIONS

LADDER MOUNT ASSEMBLY

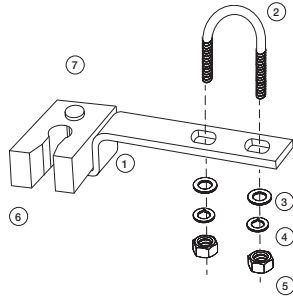
Users are advised to use this product strictly as intended by the manufacturer. Allfasteners disclaims all liability for any injury or damage resulting from the incorrect installation or use of this product. By using this product, users agree to hold Allfasteners harmless against any such claims.

PARTS LIST



**14LMHB01 - 42" Head Bracket
w/ Hardware
(1)**

PART #	DESCRIPTION
① 14LMHB01-U	Ladder Mount Head Bracket Galv.
② 2USSG038	3/8" USS Flat Washer Galv.
③ 2MSLG38	3/8 Medium Split Lock Washer Galv.
④ 2HHNG3816G2H	3/8-16 Heavy Hex Nut A194 Gr 2H Galv.
⑤ 14LMHBBP-U	Ladder Mount Head Bracket Backing Plate
⑥ 2HTBG38412G5	3/8-16 x 4-1/2" Hex Tap Bolt, FT, Gr 5 Galv.



**14AFLMIB01 - Intermediate Cable Guide
w/ Hardware
(1) Every 25ft**

PART #	DESCRIPTION
① 14AFLMIB01-U	3/16" Bent Bracket, A36, Galv.
② 6UBG-RU2	3/8-16 x 2 x 1-1/8 BL U-Bolt Galv.
③ 2USSG038	3/8" USS Galv.
④ 2MSLG38	3/8" Medium Split Lock Washer Galv.
⑤ 2HHNG3816G2H	3/8-16 Heavy Hex Nut A194 Gr 2H Galv.
⑥ 13CGBLACK	Cable Guide for 3/8" Wire Rope Black EPDM
⑦ 4ABHR038134	3/8 x 1-3/4 Brazier Head Alum. Rivets 1100F

ALLFASTENERS **AF**

959 LAKE ROAD MEDINA, OHIO 44256
P (440) 232-6060 F (440) 232-6062
www.allfasteners.com

SAFETY CLIMB INSTALLATION INSTRUCTIONS

PART NUMBER:	14LMSC
ITEM NAME:	LADDER MOUNT SAFETY CLIMB ASSEMBLY

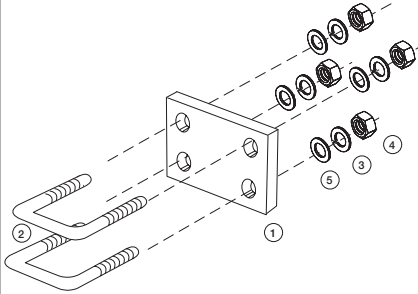
Users are advised to use this product strictly as intended by the manufacturer. Allfasteners disclaims all liability for any injury or damage resulting from the incorrect installation or use of this product. By using this product, users agree to hold Allfasteners harmless against any such claims.

DATE: 5/2024

PAGE: 24

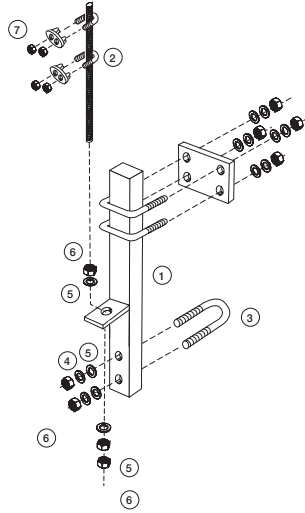
PREP BY: AF

PARTS LIST



**14AFLMKTB01 - Backing Plate
Galvanized with Hardware
(3)**

PART #	DESCRIPTION
① 14AFLMKTB01-U	Ladder Mount Head Bracket Backing Plate
② 6UBG218	1/2-13 x 5 x 2-1/8 BL x 2" Thd Sq Bnd U-Bolt Galv.
③ 2MSLG12	1/2" Medium Split Lock Washer Galv.
④ 2HHNG1213G2H	1/2-13 Heavy Hex Nut A194 Gr 2H Galv.
⑤ 2WRWG012	1/2" Struc. Flat Washer F436 Galv.



**14AFLMBB01 - Bottom Tensioner
Bracket for Ladder Mount Galvanized
with Hardware
(1)**

PART #	DESCRIPTION
① 14AFLMBB01-U	Bottom Tensioner Bracket for Ladder Mount
② 2TSG381000	3/8-16 x 10" Threaded Stud LC Galv.
③ 6UBG-38-414-118	3/8-16 x 4-1/4 x 1-1/8 U-Bolt Low Carbon Galv.
④ 2MSLG38	3/8" Medium Split Lock Washer Galv.
⑤ 2USSG038	3/8" USS Flat Washer Galv.
⑥ 2HHNG3816G2H	3/8-16 Heavy Hex Nut A194 Gr 2H Galv.
⑦ 6WRCDF038	3/8 Wire Rope Clip Drop-Forged Galv.

ALLFASTENERS 

959 LAKE ROAD MEDINA, OHIO 44256
P (440) 232-6090 F (440) 232-6062
www.allfasteners.com

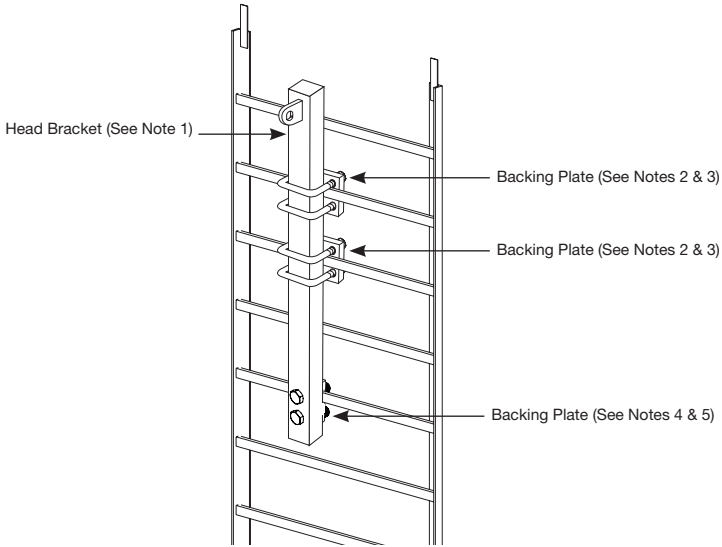
SAFETY CLIMB INSTALLATION INSTRUCTIONS

PART NUMBER:	14LMSC
ITEM NAME:	LADDER MOUNT SAFETY CLIMB ASSEMBLY

Users are advised to use this product strictly as intended by the manufacturer. Allfasteners disclaims all liability for any injury or damage resulting from the incorrect installation or use of this product. By using this product, users agree to hold Allfasteners harmless against any such claims.

INSTALLATION INSTRUCTIONS

HEAD BRACKET



ATTACHING 14LMHB01-60 HEAD BRACKET TO LADDER

1. Attach 14LMHB01 Head Bracket to the top of the ladder by placing Head Bracket (14LMHB01-U) against the top rungs of the ladder.
2. Secure Head Bracket (14LMHB01-U) to the top rung by fastening one (1) Backing Plate (14AFLMKTB01).
 - a. Place Backing Plate (14AFLMKTB01-U) behind the ladder rung, opposite of Head Bracket (14LMHB01-U).
 - b. Take one (1) 1/2" U-Bolt (6UBG218) and place it around Head Bracket (14LMHB01-U) through Backing Plate (14AFLMKTB01-U) above the ladder rung.
 - c. Take another one (1) 1/2" U-Bolt (6UBG218) and place it around Head Bracket (14LMHB01-U) through Backing Plate (14AFLMKTB01-U) below the same ladder rung.
 - d. Fasten each 1/2" U-Bolt (6UBG218) with two (2) 1/2" Flat Washer (2WRWG012), two (2) 1/2" Split Lock Washers (2MSLG12), and two (2) 1/2" Heavy Hex Nuts (2HHNG1213G2H). Tension properly.
3. Repeat steps 2a to 2d with additional Backing Plate (14AFLMKTB01) on next ladder rung below.
4. Place Backing Plate (14LMHB01-U) to the ladder, opposite of Head Bracket (14LMHB01-U).
5. Fasten Backing Plate (14LMHB01-U) to Head Bracket (14LMHB01-U) using 3/8" Hex Tab Bolts (2HTBG38412G5), 3/8" USS Washers (2USSG038), 3/8" Split Lock Washers (2MSLG38), and 3/8" Heavy Hex Nuts (2HHNG3816G2H).

ALLFASTENERS **AF**

959 LAKE ROAD MEDINA, OHIO 44256
P (440) 232-6060 F (440) 232-6062
www.allfasteners.com

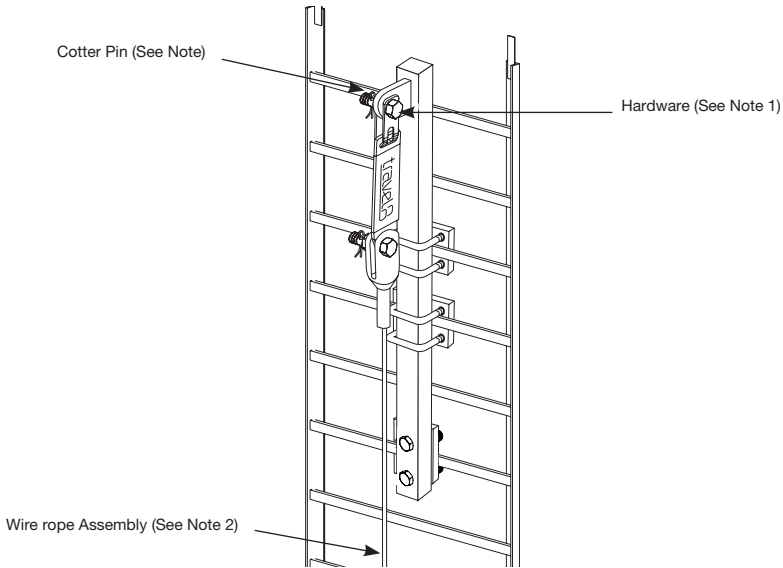
SAFETY CLIMB INSTALLATION INSTRUCTIONS

PART NUMBER:	14LMSC
ITEM NAME:	LADDER MOUNT SAFETY CLIMB ASSEMBLY

Users are advised to use this product strictly as intended by the manufacturer. Allfasteners disclaims all liability for any injury or damage resulting from the incorrect installation or use of this product. By using this product, users agree to hold Allfasteners harmless against any such claims.

INSTALLATION INSTRUCTIONS

TRAVEL8 & HEAD BRACKET



ATTACHING TRAVEL8 ASSEMBLY TO 14LMHB01 BRACKET

1. Connect Travel8 Assembly (13SS-SL215) to Head Bracket (14LMHB01-U) using M12 Hex Bolt (20F6633) and M12 Hex Nut (20F6634).
2. Ensure Cotter Pin (6CPS2018114) is installed & bent to prevent loosening of nut.

ALLFASTENERS **AF**

959 LAKE ROAD MEDINA, OHIO 44256
P (440) 232-6060 F (440) 232-6062
www.allfasteners.com

SAFETY CLIMB INSTALLATION INSTRUCTIONS

PART NUMBER:	14LMSC
ITEM NAME:	LADDER MOUNT SAFETY CLIMB ASSEMBLY

Users are advised to use this product strictly as intended by the manufacturer. Allfasteners disclaims all liability for any injury or damage resulting from the incorrect installation or use of this product. By using this product, users agree to hold Allfasteners harmless against any such claims.

DATE: 5/2024

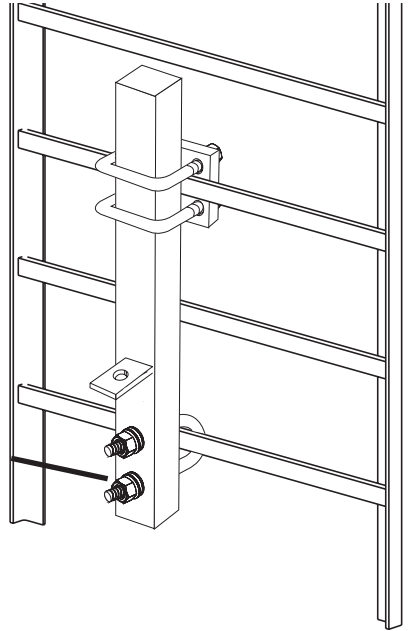
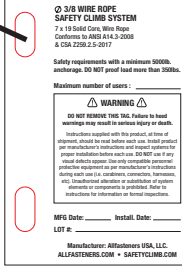
PAGE: 27

PREP BY: AF

INSTALLATION INSTRUCTIONS

ALUMINUM TAG

Mount to bottom bracket.



Mount here.

1. Mount Aluminum Tag (6AL36020) to Bottom Bracket (14AFLMBB01) by using bottom thread of 3/8" U-Bolt (6UBG-38-414-118).
2. Align the top hole on Aluminum Tag (6AL36020) with the holes on Bottom Bracket (14AFLMBB01).
3. Thread bottom thread of 3/8" U-Bolt (6UBG-38-414-118) through the top hole and tighten with one (1) 3/8" Flat Washers (2USSG038), 3/8" Split Lock Washer (2MSLG38), and 3/8" Heavy Hex Nut (2HHNG3816G2H) on the opposite side of the U-Bolt.
4. Stamp on install date in corresponding locations on the tag.

ALLFASTENERS **AF**
 959 LAKE ROAD MEDINA, OHIO 44256
 P (440) 232-6090 F (440) 232-6062
 www.allfasteners.com

SAFETY CLIMB INSTALLATION INSTRUCTIONS

PART NUMBER:	14LMSC
ITEM NAME:	LADDER MOUNT SAFETY CLIMB ASSEMBLY

Users are advised to use this product strictly as intended by the manufacturer. Allfasteners disclaims all liability for any injury or damage resulting from the incorrect installation or use of this product. By using this product, users agree to hold Allfasteners harmless against any such claims.

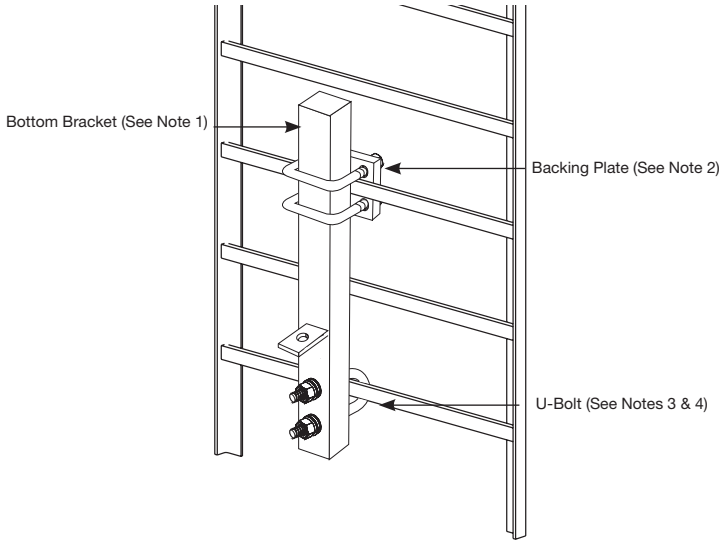
DATE: 5/2024

PAGE: 28

PREP BY: AF

INSTALLATION INSTRUCTIONS

BOTTOM BRACKET



ATTACHING 14AFLMBB01 BOTTOM BRACKET TO LADDER

1. Attach 14AFLMBB01 Bottom Bracket to the bottom of the ladder by placing 14AFLMBB01-U Bottom Bracket against the lower rungs of the ladder.
2. Secure Bottom Bracket (14AFLMBB01-U) to the lower rungs by fastening one (1) Backing Plate (14AFLMKTB01).
 - a. Place Backing Plate (14AFLMKTB01-U) behind the ladder rung, opposite of Bottom Bracket (14AFLMBB01-U).
 - b. Take one (1)1/2" U-Bolt (6UBG218) and place it around Bottom Bracket (14AFLMBB01-U) through Backing Plate (14AFLMKTB01-U) above the ladder rung.
 - c. Take another one (1)1/2" U-Bolt (6UBG218) and place it around Bottom Bracket (14AFLMBB01-U) through Backing Plate (14AFLMKTB01-U) below the same ladder rung.
 - d. Fasten each 1/2" U-Bolt (6UBG218) with two (2) 1/2" Flat Washer (2WRWG012), two (2) 1/2" Split Lock Washers (2MSLG12), and two (2) 1/2" Heavy Hex Nuts (2HHNG1213G2H). Tension properly.
3. Place 3/8" U-Bolt (6UBG-38-414-118) behind the ladder, opposite of Bottom Bracket (14AFLMBB01-U).
4. Fasten 3/8" U-Bolt (6UBG-38-414-118) to Bottom Bracket (14AFLMBB01-U) using 3/8" USS Washers (2USSG038). 3/8" Split Lock Washers (2MSLG38), and 3/8" Heavy Hex Nuts (2HHNG3816G2H).

ALLFASTENERS **AF**

959 LAKE ROAD MEDINA, OHIO 44256
P (440) 232-6060 F (440) 232-6062
www.allfasteners.com

SAFETY CLIMB INSTALLATION INSTRUCTIONS

PART NUMBER:	14LMSC
ITEM NAME:	LADDER MOUNT SAFETY CLIMB ASSEMBLY

Users are advised to use this product strictly as intended by the manufacturer. Allfasteners disclaims all liability for any injury or damage resulting from the incorrect installation or use of this product. By using this product, users agree to hold Allfasteners harmless against any such claims.

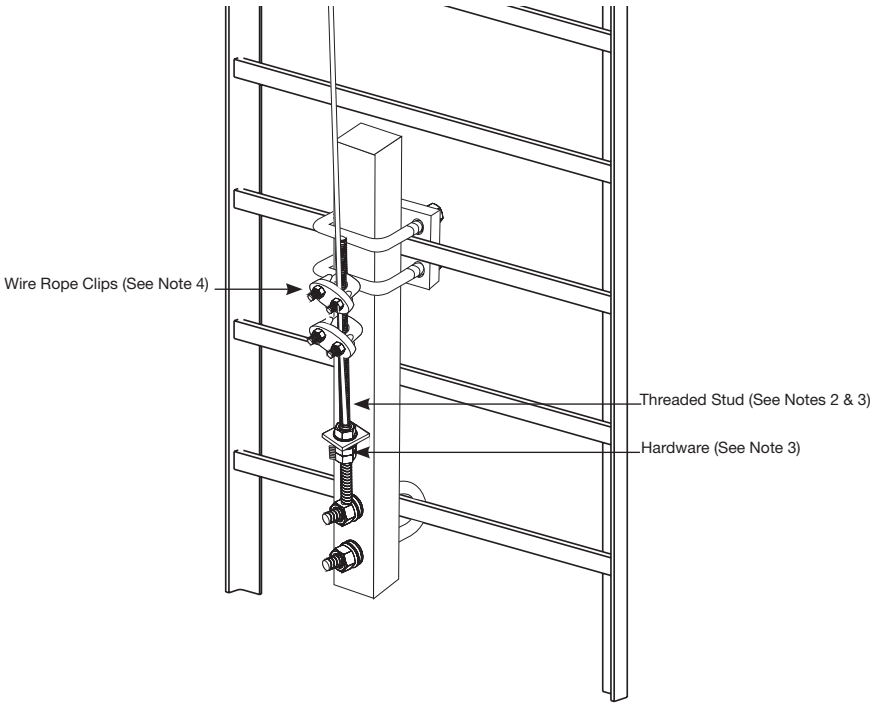
DATE: 5/2024

PAGE: 29

PREP BY: AF

INSTALLATION INSTRUCTIONS

BOTTOM BRACKET



1. Thread Aluminum Tag onto 14CA Wire Rope Assembly as mentioned on previous page.
2. Insert the 3/8" Threaded Stud (2TSG381000) through the hole on the tab extension of the Bottom Bracket (14AFLMBB01-U).
3. Thread one (1) 3/8" USS Flat Washer (2USSG038) and one (1) 3/8" Hex Nut (2HHNG3816G2H) from the top of the threaded rod, and one (1) 3/8" USS Flat Washer (2USSG038) and two (2) 3/8" Hex Nuts (2HHNG3816G2H) from the bottom. Do not over tension the nuts before ensuring wire rope is snug tight. See next page for more details.
4. Attach the 14CA Wire Rope Assembly to the threaded rod using two (2) Wire Rope Clips (6WRCDF038) - alternating tensions between the two clips to ensure proper installation.

ALLFASTENERS [®] **AF**

959 LAKE ROAD MEDINA, OHIO 44256
P (440) 232-6060 F (440) 232-6062
www.allfasteners.com

SAFETY CLIMB INSTALLATION INSTRUCTIONS

PART NUMBER:	14LMSC
ITEM NAME:	LADDER MOUNT SAFETY CLIMB ASSEMBLY

Users are advised to use this product strictly as intended by the manufacturer. Allfasteners disclaims all liability for any injury or damage resulting from the incorrect installation or use of this product. By using this product, users agree to hold Allfasteners harmless against any such claims.

DATE: 5/2024

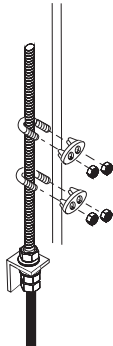
PAGE: 30

PREP BY: AF

INSTALLATION INSTRUCTIONS

BOTTOM BRACKET

WIRE ROPE ASSEMBLY TO BE PRE-TENSIONED SNUG TIGHT TO PROTECT THE USER IN CASE OF A FALL EVENT, AND TO ENSURE NO DAMAGE TO THE WIRE ROPE.



1. Pull the wire rope snug tight (as tight as possible) before installing the wire rope clips.
2. Tighten all nuts until proper tension is achieved.
3. Cut excess wire rope, and install cold shrink sleeve to base of wire rope assembly.

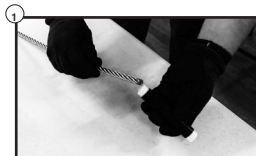
COLD SHRINK SLEEVE

The cold shrink sleeve is a REQUIREMENT FOR ALL SAFETY CLIMB SYSTEMS.

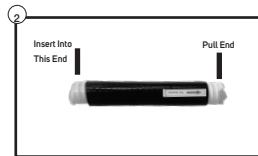
The sleeve is designed to provide a covered end to the bottom of the wire rope assembly - leaving no exposed wire.

Fits all Allfasteners Safety Climb Systems & Wire Rope Assemblies.

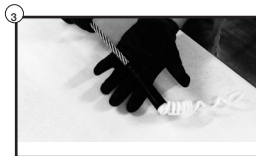
*Please note that inserting the wire rope into the wrong end of the cold shrink sleeve will result in improper installation, causing loose or frayed ends to remain exposed.



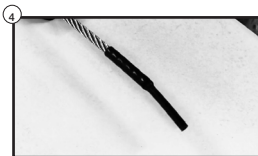
1. With the Safety Climb Assembly properly installed according to the instructions in this booklet, cut the wire rope roughly 6-10 inches below the bottom bracket.



2. Place the wire rope into the cold shrink sleeve at the end opposite the "pull direction" sticker.



3. Pull the sleeve's interior wire away from the wire rope. This will initiate the sleeve wrapping. If sleeve is not wrapping, ensure the wire rope is inserted into the correct end of the sleeve.



4. Continue to pull the line until the entire sleeve has covered the end of the wire.

ALLFASTENERS **AF**

959 LAKE ROAD MEDINA, OHIO 44256
P (440) 232-6090 F (440) 232-6062
www.allfasteners.com

SAFETY CLIMB INSTALLATION INSTRUCTIONS

PART NUMBER: 14LMSC

ITEM NAME: LADDER MOUNT SAFETY CLIMB ASSEMBLY

Users are advised to use this product strictly as intended by the manufacturer. Allfasteners disclaims all liability for any injury or damage resulting from the incorrect installation or use of this product. By using this product, users agree to hold Allfasteners harmless against any such claims.

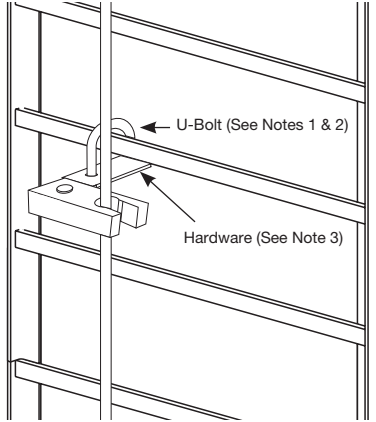
DATE: 5/2024

PAGE: 31

PREP BY: AF

INSTALLATION INSTRUCTIONS

INTERMEDIATE BRACKETS



1. To install Intermediate Bracket (14AFLMIB01) to the ladder, place 3/16" Bent Bracket (14AFLMIB01-U) on the top of one rung - positioning one (1) hole on each side of the rung.
2. Place 3/8" U-Bolt (6UBG-RU2) through the top of Bent Bracket (14AFLMIB01-U) holes, making sure to have one (1) threaded end of U-Bolt (6UBG-RU2) on each side of the rung.
3. Fasten U-Bolt (6UBG-RU2) using two (2) 3/8" USS Washers (2USSG038), two (2) 3/8" Split Lock Washers (2MSLG38), and two (2) 3/8" Heavy Hex Nuts (2HHNG3816G2H). Tension properly.
4. Feed Wire Rope Assembly (14CA) through 3/8" Cable Guide (13CGBLACK).
5. Install lock pins on cable guides where necessary to prevent the wire rope from being removed. In cases where the climbing path is clear, lock pins on cable guides are generally unnecessary.

IMPORTANT NOTES

Intermediate Brackets must be installed every 25ft or less, alternating the opening direction of the bracket from left to right along the tower.

Adhere to the tower owners' and carriers' guidelines for wire rope routing around or through existing fixtures or obstructions.

Employ extra cable guides and secure with locking pins as necessary near obstructions or mounts to prevent the wire rope from touching them.

Improper restraint or contact with the structure or mounts could damage the wire rope.

ALLFASTENERS **A**

959 LAKE ROAD MEDINA, OHIO 44256
P (440) 232-6090 F (440) 232-6062
www.allfasteners.com

SAFETY CLIMB INSTALLATION INSTRUCTIONS

PART NUMBER:	14LMSC
ITEM NAME:	LADDER MOUNT SAFETY CLIMB ASSEMBLY

Users are advised to use this product strictly as intended by the manufacturer. Allfasteners disclaims all liability for any injury or damage resulting from the incorrect installation or use of this product. By using this product, users agree to hold Allfasteners harmless against any such claims.

DATE: 5/2024

PAGE: 32

PREP BY: AF

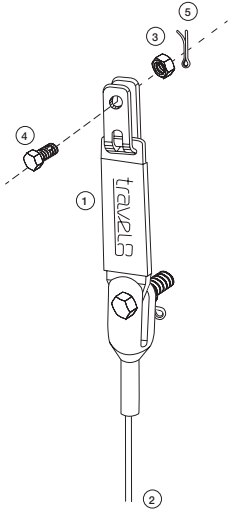


SAFETY CLIMB INSTALLATION INSTRUCTIONS

EXTENDED LADDER MOUNT ASSEMBLY

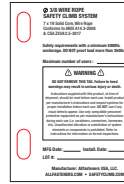
Users are advised to use this product strictly as intended by the manufacturer. Allfasteners disclaims all liability for any injury or damage resulting from the incorrect installation or use of this product. By using this product, users agree to hold Allfasteners harmless against any such claims.

PARTS LIST

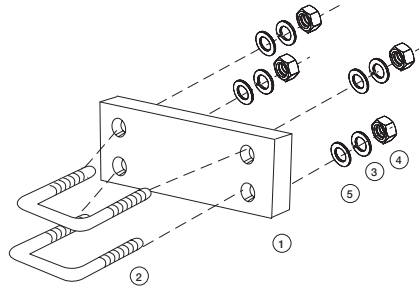


13SS-SL215 - Travel8 Energy Absorber Assembly (1)

	PART #	DESCRIPTION
①	13SS-SL215	Travel8 Energy Absorber
②	14CA	3/8" Aircraft Cable 7x19 Strand Galv. or SS/FT
③	20F6634	M12 Hex Nut CL10 Magni 565
④	20F6633	M12 x 60mm Hex Head Bolt G10.9 Magni 565
⑤	6CPS2018114	1/8" x 1-1/4" Cotter Pin Gr 304 SS



6AL36020 - Aluminum Tag (1)



14AFLMKTB01-EXT - Ext. Backing Plate w/ Hardware (1) Every 25ft

	PART #	DESCRIPTION
①	14AFLM-KTB01-EXT-U	Ladder Mount Head Bracket Backing Plate
②	6UBG218	1/2-13 x 5 x 2-1/8 BL x 2"Thd SqBnd U-Bolt Galv.
③	2MSLG12	1/2" Medium Split Lock Washer Galv.
④	2HHNG1213G2H	1/2-13 Heavy Hex Nut A194 Gr 2H Galv.
⑤	2WRWG012	1/2" Struc. Flat Washer F436 Galv.

ALLFASTENERS **A**

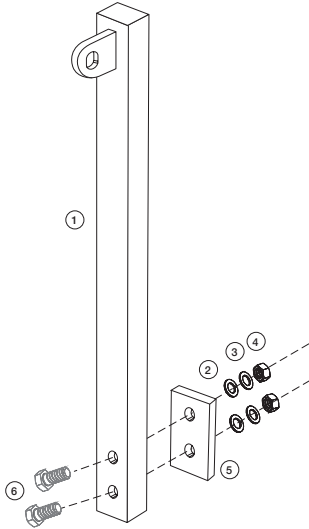
959 LAKE ROAD MEDINA, OHIO 44056
P (440) 232-6060 F (440) 232-6062
www.allfasteners.com

SAFETY CLIMB INSTALLATION INSTRUCTIONS

PART NUMBER:	14LMSC-60
ITEM NAME:	EXTENDED LADDER MOUNT SAFETY CLIMB ASSEMBLY

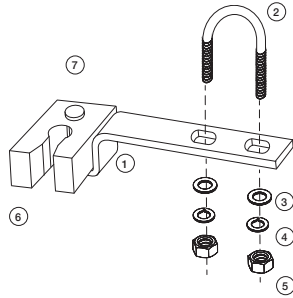
Users are advised to use this product strictly as intended by the manufacturer. Allfasteners disclaims all liability for any injury or damage resulting from the incorrect installation or use of this product. By using this product, users agree to hold Allfasteners harmless against any such claims.

PARTS LIST



**14LMHB01-60 - 60" Ext. Head
Bracket w/ Hardware
(1)**

PART #	DESCRIPTION
① 14LMHB01-60-U	Ladder Mount Head Bkt 60" Galv.
② 2USSG038	3/8 USS Flat Washer Galv.
③ 2MSLG38	3/8" Medium Split Lock Washer Galv.
④ 2HHNG3816G2H	3/8-16 Heavy Hex Nut A194 Gr 2H Galv.
⑤ 14LMHBBP-U	Ladder Mount Head Bracket Backing Plate
⑥ 2HTBG38412G5	3/8-16x4-1/2 Hex Tap Bolt, FT, Gr 5 Galv.



**14AFLMIB01 - Intermediate Cable Guide
w/ Hardware
(1) Every 25ft**

PART #	DESCRIPTION
① 14AFLMIB01-U	3/16" Bent Bracket, A36, Galv.
② 6UBG-RU2	3/8-16 x 2 x 1-1/8 BL U-Bolt Galv.
③ 2USSG038	3/8" USS Galv.
④ 2MSLG38	3/8" Medium Split Lock Washer Galv.
⑤ 2HHNG3816G2H	3/8-16 Heavy Hex Nut A194 Gr 2H Galv.
⑥ 13CGBLACK	Cable Guide for 3/8" Wire rope Black EPDM
⑦ 4ABHR038134	3/8 x 1-3/4 Brazier Head Alum. Rivets 1100F

SAFETY CLIMB INSTALLATION INSTRUCTIONS

ALLFASTENERS **AF**

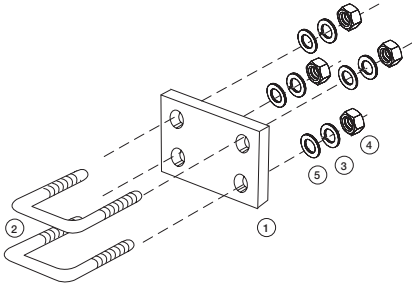
959 LAKE ROAD MEDINA, OHIO 44256
P (440) 232-6060 F (440) 232-6062
www.allfasteners.com

PART NUMBER: 14LMSC-60

ITEM NAME: EXTENDED LADDER MOUNT SAFETY CLIMB ASSEMBLY

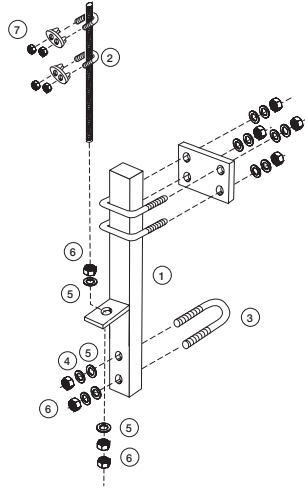
Users are advised to use this product strictly as intended by the manufacturer. Allfasteners disclaims all liability for any injury or damage resulting from the incorrect installation or use of this product. By using this product, users agree to hold Allfasteners harmless against any such claims.

PARTS LIST



14AFMLMKTB01 - Backing Plate Galvanized with Hardware (3)

PART #	DESCRIPTION
① 14AFMLMKTB01-U	Ladder Mount Head Bracket Backing Plate
② 6UBG218	1/2-13 x 5 x 2-1/8 BL x 2" Thd Sq Bnd U-Bolt Galv.
③ 2MSLG12	1/2" Medium Split Lock Washer Galv.
④ 2HHNG1213G2H	1/2-13 Heavy Hex Nut A194 Gr 2H Galv.
⑤ 2WRWG012	1/2" Struc. Flat Washer F436 Galv.



14AFLMBB01 - Bottom Tensioner Bracket for Ladder Mount Galvanized with Hardware (1)

PART #	DESCRIPTION
① 14AFLMBB01-U	Bottom Tensioner Bracket for Ladder Mount
② 2TSG381000	3/8-16 x 10" Threaded Stud LC Galv.
③ 6UBG-38-414-118	3/8-16 x 4-1/4 x 1-1/8 U-Bolt Low Carbon Galv.
④ 2MSLG38	3/8" Medium Split Lock Washer Galv.
⑤ 2USSG038	3/8" USS Flat Washer Galv.
⑥ 2HHNG3816G2H	3/8-16 Heavy Hex Nut A194 Gr 2H Galv.
⑦ 6WRCDF038	3/8 Wire Rope Clip Drop-Forged Galv.



959 LAKE ROAD MEDINA, OHIO 44256
P (440) 232-6060 F (440) 232-6062
www.allfasteners.com

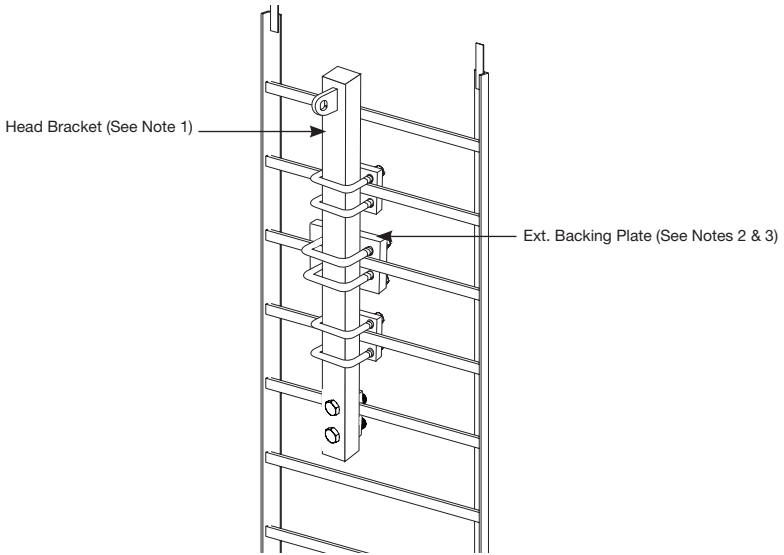
SAFETY CLIMB INSTALLATION INSTRUCTIONS

PART NUMBER:	14LMSC-60
ITEM NAME:	EXTENDED LADDER MOUNT SAFETY CLIMB ASSEMBLY

Users are advised to use this product strictly as intended by the manufacturer. Allfasteners disclaims all liability for any injury or damage resulting from the incorrect installation or use of this product. By using this product, users agree to hold Allfasteners harmless against any such claims.

INSTALLATION INSTRUCTIONS

HEAD BRACKET



ATTACHING 14LMHB01-60 HEAD BRACKET TO LADDER

1. Attach 14LMHB01 Head Bracket to the top of the ladder by placing Head Bracket (14LMHB01-60-U) against the top rungs of the ladder.
2. Secure Head Bracket (14LMHB01-60-U) to the top rung by fastening Ext. Backing Plate (14AFLMKTB01-EXT-U).
 - a. Place Backing Plate (14AFLMKTB01-EXT-U) behind the ladder rung, opposite of Head Bracket (14LMHB01-60-U).
 - b. Take one (1) 1/2" U-Bolt (6UBG218) and place it around Head Bracket (14LMHB01-60-U) through Backing Plate (14AFLMKTB01-EXT-U) above the ladder rung.
 - c. Take another one (1) 1/2" U-Bolt (6UBG218) and place it around Head Bracket (14LMHB01-60-U) through Backing Plate (14AFLMKTB01-EXT-U) below the same ladder rung.
 - d. Fasten each 1/2" U-Bolt (6UBG218) with two (2) 1/2" Flat Washer (2WRWG012), two (2) 1/2" Split Lock Washers (2MSLG12), and two (2) 1/2" Heavy Hex Nuts (2HHNG1213G2H). Tension properly.

ALLFASTENERS **AF**

959 LAKE ROAD MEDINA, OHIO 44256
P (440) 232-6060 F (440) 232-6062
www.allfasteners.com

SAFETY CLIMB INSTALLATION INSTRUCTIONS

PART NUMBER:	14LMSC-60
ITEM NAME:	EXTENDED LADDER MOUNT SAFETY CLIMB ASSEMBLY

Users are advised to use this product strictly as intended by the manufacturer. Allfasteners disclaims all liability for any injury or damage resulting from the incorrect installation or use of this product. By using this product, users agree to hold Allfasteners harmless against any such claims.

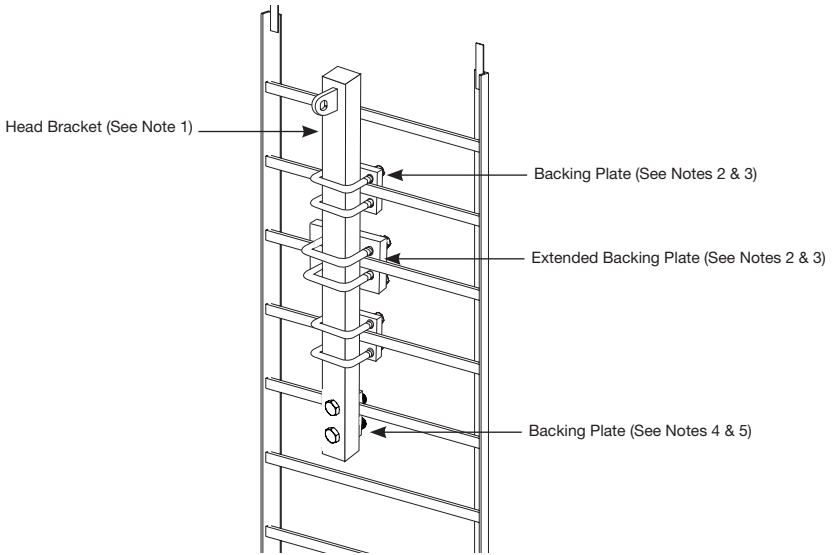
DATE: 5/2024

PAGE: 37

PREP BY: AF

INSTALLATION INSTRUCTIONS

HEAD BRACKET



ATTACHING 14LMHB01-60 HEAD BRACKET TO LADDER

1. Secure Head Bracket (14LMHB01-60-U) to the top rung by fastening one (1) Backing Plate (14AFLMKTB01).
 - a. Place Backing Plate (14AFLMKTB01-U) behind the ladder rung, opposite of Head Bracket (14LMHB01-60-U).
 - b. Take one (1) 1/2" U-Bolt (6UBG218) and place it around Head Bracket (14LMHB01-60-U) through Backing Plate (14AFLMKTB01-U) above the ladder rung.
 - c. Take another one (1) 1/2" U-Bolt (6UBG218) and place it around Head Bracket (14LMHB01-60-U) through Backing Plate (14AFLMKTB01-U) below the same ladder rung. Fasten each 1/2" U-Bolt (6UBG218) with two (2) 1/2" Flat Washer (2WRWG012), two (2) 1/2" Split Lock Washers (2MSLG12), and two (2) 1/2" Heavy Hex Nuts (2HHNG1213G2H). Tension properly.
3. Repeat steps 2a to 2d with additional Backing Plate (14AFLMKTB01) on next ladder rung below.
4. Place Backing Plate (14LMHB01-60-U) to the ladder, opposite of Head Bracket (14LMHB01-60-U).
5. Fasten Backing Plate (14LMHB01-60-U) to Head Bracket (14LMHB01-60-U) using 3/8" Hex Tab Bolts (2HTBG38412G5), 3/8" USS Washers (2USSG038). 3/8" Split Lock Washers (2MSLG38), and 3/8" Heavy Hex Nuts (2HHNG3816G2H).

ALLFASTENERS **A**

959 LAKE ROAD MEDINA, OHIO 44056
P (440) 232-6060 F (440) 232-6062
www.allfasteners.com

SAFETY CLIMB INSTALLATION INSTRUCTIONS

PART NUMBER:	14LMSC-60
ITEM NAME:	EXTENDED LADDER MOUNT SAFETY CLIMB ASSEMBLY

Users are advised to use this product strictly as intended by the manufacturer. Allfasteners disclaims all liability for any injury or damage resulting from the incorrect installation or use of this product. By using this product, users agree to hold Allfasteners harmless against any such claims.

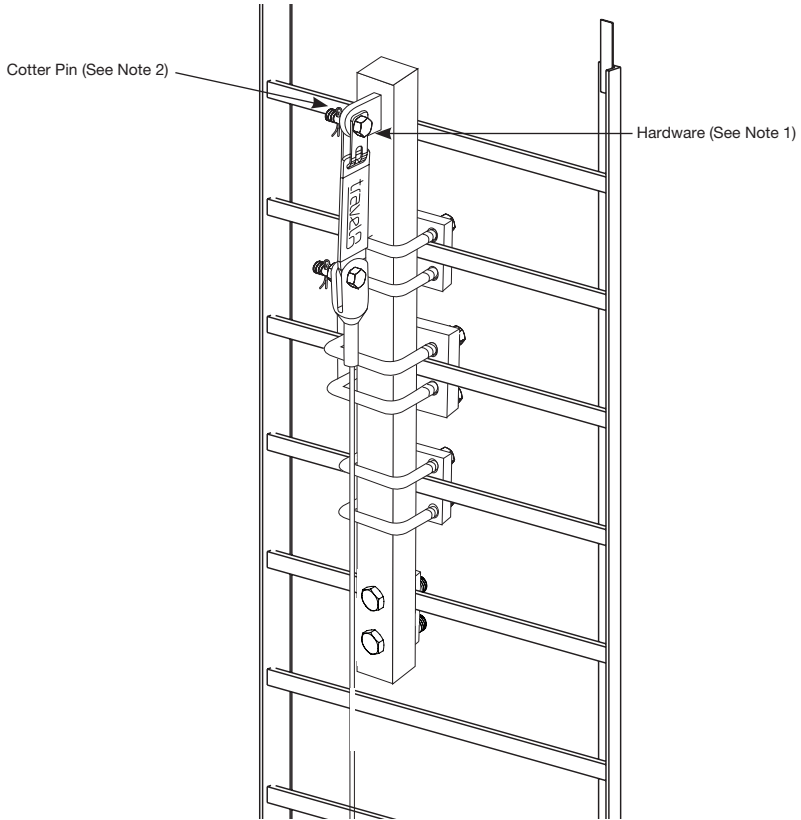
DATE: 5/2024

PAGE: 38

PREP BY: AF

INSTALLATION INSTRUCTIONS

TRAVEL8 & HEAD BRACKET



ATTACHING TRAVEL8 ASSEMBLY TO 14LMHB01-60 BRACKET

1. Connect Travel8 Assembly (13SS-SL215) to Head Bracket (14LMHB01-60-U) using M12 Hex Bolt (2OF6633) and M12 Hex Nut (2OF6634).
2. Ensure Cotter Pin (6CPS2018114) is installed & bent to prevent loosening of nut.

ALLFASTENERS **AF**

959 LAKE ROAD MEDINA, OHIO 44256
P (440) 232-6060 F (440) 232-6062
www.allfasteners.com

SAFETY CLIMB INSTALLATION INSTRUCTIONS

PART NUMBER: 14LMSC-60

ITEM NAME: EXTENDED LADDER MOUNT SAFETY CLIMB ASSEMBLY

Users are advised to use this product strictly as intended by the manufacturer. Allfasteners disclaims all liability for any injury or damage resulting from the incorrect installation or use of this product. By using this product, users agree to hold Allfasteners harmless against any such claims.

DATE: 5/2024

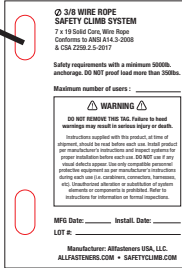
PAGE: 39

PREP BY: AF

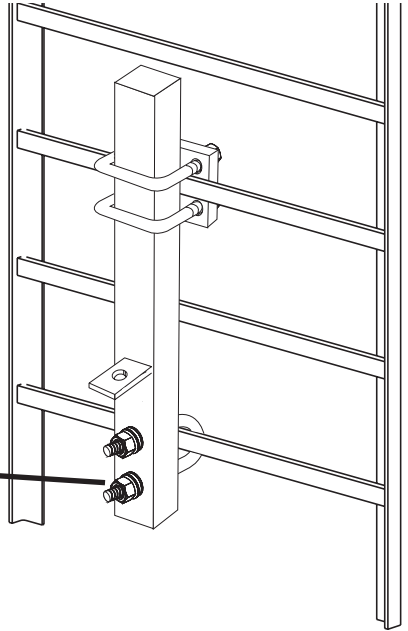
INSTALLATION INSTRUCTIONS

ALUMINUM TAG

Mount to bottom bracket.



Mount here.



1. Mount Aluminum Tag (6AL36020) to Bottom Bracket (14AFLMBB01) by using bottom thread of 3/8" U-Bolt (6UBG-38-414-118).
2. Align the top hole on Aluminum Tag (6AL36020) with the holes on Bottom Bracket (14AFLMBB01).
3. Thread bottom thread of 3/8" U-Bolt (6UBG-38-414-118) through the top hole and tighten with one (1) 3/8" Flat Washers (2USSG038), 3/8" Split Lock Washer (2MSLG38), and 3/8" Heavy Hex Nut (2HHNG3816G2H) on the opposite side of the U-Bolt.
4. Stamp on install date in corresponding locations on the tag.

ALLFASTENERS **A**

959 LAKE ROAD MEDINA, OHIO 44256
P (440) 232-6060 F (440) 232-6062
www.allfasteners.com

SAFETY CLIMB INSTALLATION INSTRUCTIONS

PART NUMBER:	14LMSC-60
ITEM NAME:	EXTENDED LADDER MOUNT SAFETY CLIMB ASSEMBLY

Users are advised to use this product strictly as intended by the manufacturer. Allfasteners disclaims all liability for any injury or damage resulting from the incorrect installation or use of this product. By using this product, users agree to hold Allfasteners harmless against any such claims.

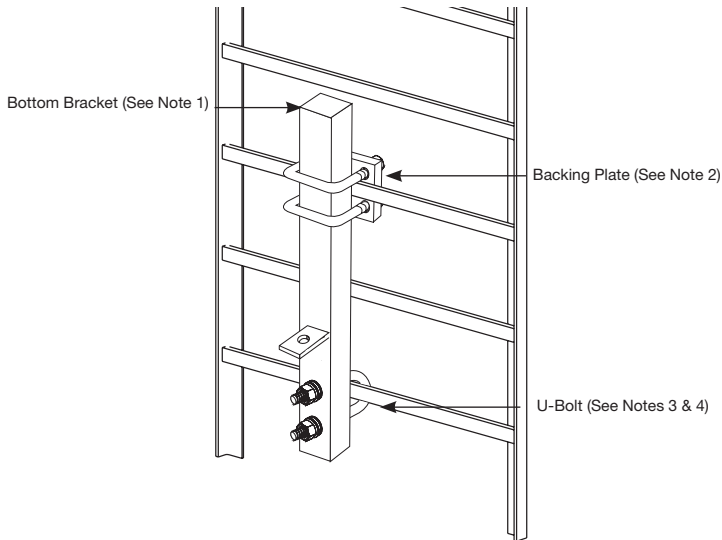
DATE: 5/2024

PAGE: 40

PREP BY: AF

INSTALLATION INSTRUCTIONS

BOTTOM BRACKET



ATTACHING 14AFLMKB01 BOTTOM BRACKET TO LADDER

1. Attach 14AFLMKB01 Bottom Bracket to the bottom of the ladder by placing 14AFLMKB01-U Bottom Bracket against the lower rungs of the ladder.
2. Secure Bottom Bracket (14AFLMKB01-U) to the lower rungs by fastening one (1) Backing Plate (14AFLMKTB01).
 - a. Place Backing Plate (14AFLMKTB01-U) behind the ladder rung, opposite of Bottom Bracket (14AFLMKB01-U).
 - b. Take one (1) 1/2" U-Bolt (6UBG218) and place it around Bottom Bracket (14AFLMKB01-U) through Backing Plate (14AFLMKTB01-U) above the ladder rung.
 - c. Take another one (1) 1/2" U-Bolt (6UBG218) and place it around Bottom Bracket (14AFLMKB01-U) through Backing Plate (14AFLMKTB01-U) below the same ladder rung.
 - d. Fasten each 1/2" U-Bolt (6UBG218) with two (2) 1/2" Flat Washer (2WRWG012), two (2) 1/2" Split Lock Washers (2MSLG12), and two (2) 1/2" Heavy Hex Nuts (2HHNG1213G2H). Tension properly.
3. Place 3/8" U-Bolt (6UBG-38-414-118) behind the ladder, opposite of Bottom Bracket (14AFLMKB01-U).
4. Fasten 3/8" U-Bolt (6UBG-38-414-118) to Bottom Bracket (14AFLMKB01-U) using 3/8" USS Washers (2USSG038), 3/8" Split Lock Washers (2MSLG38), and 3/8" Heavy Hex Nuts (2HHNG3816G2H).

ALLFASTENERS **AF**

959 LAKE ROAD MEDINA, OHIO 44026
P (440) 232-6060 F (440) 232-6062
www.allfasteners.com

SAFETY CLIMB INSTALLATION INSTRUCTIONS

PART NUMBER:	14LMSC-60
ITEM NAME:	EXTENDED LADDER MOUNT SAFETY CLIMB ASSEMBLY

Users are advised to use this product strictly as intended by the manufacturer. Allfasteners disclaims all liability for any injury or damage resulting from the incorrect installation or use of this product. By using this product, users agree to hold Allfasteners harmless against any such claims.

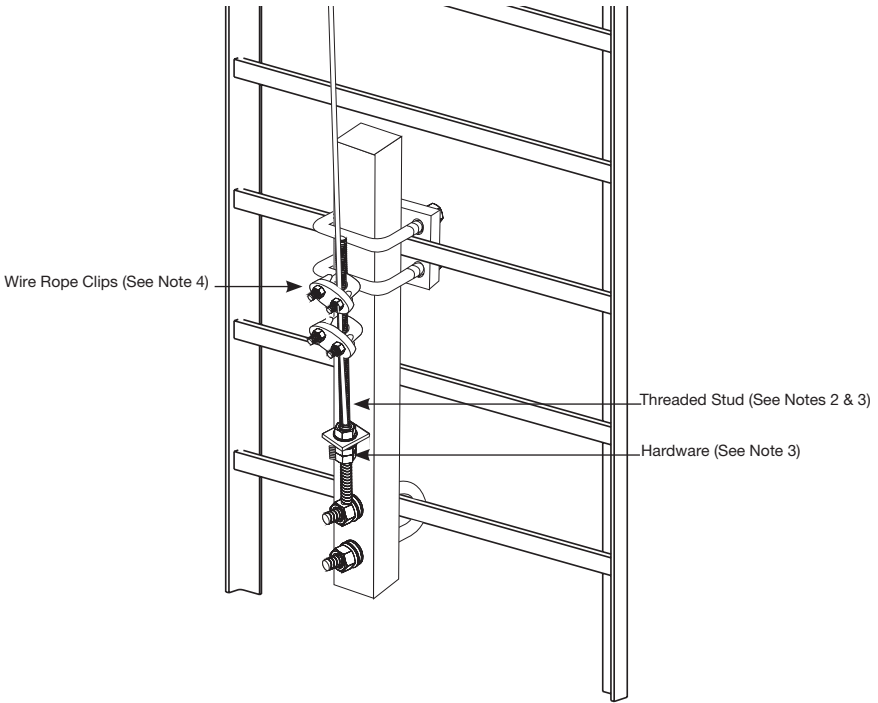
DATE: 5/2024

PAGE: 41

PREP BY: AF

INSTALLATION INSTRUCTIONS

BOTTOM BRACKET



1. Thread Aluminum Tag onto 14CA Wire Rope Assembly as mentioned on previous page.
2. Insert the 3/8" Threaded Stud (2TSG381000) through the hole on the tab extension of the Bottom Bracket (14AFLMBB01-U).
3. Thread one (1) 3/8" USS Flat Washer (2USSG038) and one (1) 3/8" Hex Nut (2HHNG3816G2H) from the top of the threaded rod, and one (1) 3/8" USS Flat Washer (2USSG038) and two (2) 3/8" Hex Nuts (2HHNG3816G2H) from the bottom. Do not over tension the nuts before ensuring wire rope is snug tight. See next page for more details.
4. Attach the 14CA Wire Rope Assembly to the threaded rod using two (2) Wire Rope Clips (6WRCDF038) - alternating tensions between the two clips to ensure proper installation.

ALLFASTENERS [®] **AF**

959 LAKE ROAD MEDINA, OHIO 44026
P (440) 232-6060 F (440) 232-6062
www.allfasteners.com

SAFETY CLIMB INSTALLATION INSTRUCTIONS

PART NUMBER:	14LMSC-60
ITEM NAME:	EXTENDED LADDER MOUNT SAFETY CLIMB ASSEMBLY

Users are advised to use this product strictly as intended by the manufacturer. Allfasteners disclaims all liability for any injury or damage resulting from the incorrect installation or use of this product. By using this product, users agree to hold Allfasteners harmless against any such claims.

DATE: 5/2024

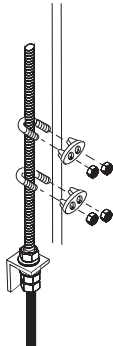
PAGE: 42

PREP BY: AF

INSTALLATION INSTRUCTIONS

BOTTOM BRACKET

WIRE ROPE ASSEMBLY TO BE PRE-TENSIONED SNUG TIGHT TO PROTECT THE USER IN CASE OF A FALL EVENT, AND TO ENSURE NO DAMAGE TO THE WIRE ROPE.



1. Pull the wire rope snug tight (as tight as possible) before installing the wire rope clips.
2. Tighten all nuts until proper tension is achieved.
3. Cut excess wire rope, and install cold shrink sleeve to base of wire rope assembly.

COLD SHRINK SLEEVE

The cold shrink sleeve is a **REQUIREMENT FOR ALL SAFETY CLIMB SYSTEMS.**

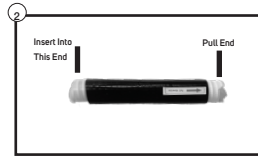
The sleeve is designed to provide a covered end to the bottom of the wire rope assembly - leaving no exposed wire.

Fits all Allfasteners Safety Climb Systems & Wire Rope Assemblies.

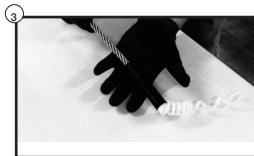
*Please note that inserting the wire rope into the wrong end of the cold shrink sleeve will result in improper installation, causing loose or frayed ends to remain exposed.



1. With the Safety Climb Assembly properly installed according to the instructions in this booklet, cut the wire rope roughly 6-10 inches below the bottom bracket.



2. Place the wire rope into the cold shrink sleeve at the end opposite the "pull direction" sticker.



3. Pull the sleeve's interior wire away from the wire rope. This will initiate the sleeve wrapping. If sleeve is not wrapping, ensure the wire rope is inserted into the correct end of the sleeve.



4. Continue to pull the line until the entire sleeve has covered the end of the wire.

ALLFASTENERS **A**

959 LAKE ROAD MEDINA, OHIO 44056
P (440) 232-6060 F (440) 232-6062
www.allfasteners.com

SAFETY CLIMB INSTALLATION INSTRUCTIONS

PART NUMBER: 14LMSC-60

ITEM NAME: EXTENDED LADDER MOUNT SAFETY CLIMB ASSEMBLY

Users are advised to use this product strictly as intended by the manufacturer. Allfasteners disclaims all liability for any injury or damage resulting from the incorrect installation or use of this product. By using this product, users agree to hold Allfasteners harmless against any such claims.

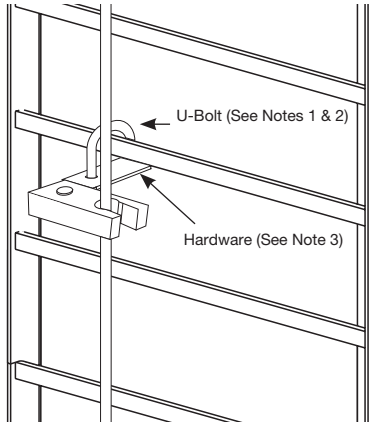
DATE: 5/2024

PAGE: 43

PREP BY: AF

INSTALLATION INSTRUCTIONS

INTERMEDIATE BRACKETS



1. To install Intermediate Bracket (14AFLMIB01) to the ladder, place 3/16" Bent Bracket (14AFLMIB01-U) on the top of one rung - positioning one (1) hole on each side of the rung.
2. Place 3/8" U-Bolt (6UBG-RU2) through the top of Bent Bracket (14AFLMIB01-U) holes, making sure to have one (1) threaded end of U-Bolt (6UBG-RU2) on each side of the rung.
3. Fasten U-Bolt (6UBG-RU2) using two (2) 3/8" USS Washers (2USSG038), two (2) 3/8" Split Lock Washers (2MSLG38), and two (2) 3/8" Heavy Hex Nuts (2HHNG3816G2H). Tension properly.
4. Feed Wire Rope Assembly (14CA) through 3/8" Cable Guide (13CGBLACK).
5. Install lock pins on cable guides where necessary to prevent the wire rope from being removed. In cases where the climbing path is clear, lock pins on cable guides are generally unnecessary.

IMPORTANT NOTES

Intermediate Brackets must be installed every 25ft or less, alternating the opening direction of the bracket from left to right along the tower.

Adhere to the tower owners' and carriers' guidelines for wire rope routing around or through existing fixtures or obstructions.

Employ extra cable guides and secure with locking pins as necessary near obstructions or mounts to prevent the wire rope from touching them.

Improper restraint or contact with the structure or mounts could damage the wire rope.

ALLFASTENERS **A**

959 LAKE ROAD MEDINA, OHIO 44256
P (440) 232-6060 F (440) 232-6062
www.allfasteners.com

SAFETY CLIMB INSTALLATION INSTRUCTIONS

PART NUMBER: 14LMSC-60

ITEM NAME: EXTENDED LADDER MOUNT SAFETY CLIMB ASSEMBLY

Users are advised to use this product strictly as intended by the manufacturer. Allfasteners disclaims all liability for any injury or damage resulting from the incorrect installation or use of this product. By using this product, users agree to hold Allfasteners harmless against any such claims.

DATE: 5/2024

PAGE: 44

PREP BY: AF

MAINTENANCE

1. This system needs to be checked and re-certified by a competent person according to ANSI and/or TIA requirements.
2. Never clean using acids or other chemicals that could damage the system components.
3. The identification/certification label must be completed confirming maintenance and recertification of the system.
4. Any deterioration or damage to the system or equipment must be reported to the person in control of the worksite and relevant corrective action undertaken.
5. Maintenance inspections must be clearly documented. Any non-conformance must be clearly identified and tagged 'Do Not Use' until corrective action by a competent person has been completed.

Check criteria required to ensure the safe use of this system. Any item of concern not shown on the checklist must be noted on the maintenance report and brought to the attention of the tower owner.

Items checked PASS- YES means they conform with the required checking criteria and are suitable for normal use.

Item checked PASS - NO means they do not conform to the required checking criteria. These items must be clearly tagged 'Do Not Use' and the required corrective actions put in place. The maintenance report must clearly document all non-conforming criteria.

This system must be maintained by a person trained in the safe use and maintenance of this system.

THIS SECTION IS TO DEFINE THE MAINTENANCE & CONDITION ASSESSMENT REQUIREMENTS OF A WIRE ROPE SAFETY CLIMB.

The wire rope safety climb is considered an appurtenance and therefore maintenance and condition assessments shall occur in accordance with recommended ANSI/TIA-222 intervals or tower owner/EOR recommendations, which may shorten or lengthen ANSI/TIA-222 intervals based upon an established maintenance and condition program.

If deficiencies, outside of routine maintenance or manufacturer specifications, are found in any of the wire rope safety climb components, the manufacturer of the wire rope safety climb or tower owner/EOR shall be consulted for corrective action.

For questions associated with the ANSI/TIA-222 antenna supporting structure, including climbing facilities and appurtenance connections, communication shall occur with the tower owner/EOR.



959 LAKE ROAD MEDINA, OHIO 44256
P (440) 232-6060 F (440) 232-6062
www.allfasteners.com

SAFETY CLIMB INSTALLATION INSTRUCTIONS

PART NUMBER:	14PMSC, 14RCL & 14LMSC
ITEM NAME:	SAFETY CLIMB ASSEMBLY

Users are advised to use this product strictly as intended by the manufacturer. Allfasteners disclaims all liability for any injury or damage resulting from the incorrect installation or use of this product. By using this product, users agree to hold Allfasteners harmless against any such claims.

DATE: 5/2024

PAGE: 45

PREP BY: AF

TECHNICAL

TECHNICAL

FALL CLEARANCE

There must be sufficient clearance below the user to arrest a fall before the user strikes the ground or another lower level hazard. The clearance required is dependent on the following factors and analyzed by a competent climber.

- Elevation of anchorage
- Anchorage deflection
- Lanyard elongation on deceleration pull out (personal energy absorber)
- Lanyard length
- Operator height
- Fall distance residual clearance

SYSTEM REQUIREMENTS

The worker must wear a full body harness when connected to any fall arrest system including a personal energy absorber compliant with the relevant ANSI Standards. Our system features a 3/8" cable with factory swaged yoke connections, delivering an anchorage rated to sustain a minimum 5,000 lb. tensile load. The Travel8 Energy Absorber is integrated into the top bracket to mitigate shock loads in the event of a fall.

SAFE CLIMB LOADING

Minimum top anchorage load calculations.

For 2-4 climbers per OSHA/ANSI, TIA & SEMC:

- (2) Person factored live loads - 3,240 lbs.
- (3) Person factored live loads - 3,705 lbs.
- (4) Person factored live loads - 4,170 lbs.

Factor live load: The system calculation uses a nominal load (1,800 lbs fall arrest + 310 lbs climber weight).

SAFETY CLIMB METAL TAG

Required "Aluminum Tag" to be included in your installation process.

This tag is to be attached to the bottom bracket.

Before attaching tag, installation date will need to be completed by stamping installation date on tag. Markers are **NOT** recommended.

Our AF reps are available to answer any questions you have on this process and suggested tips.



959 LAKE ROAD MEDINA, OHIO 44256
P (440) 232-6060 F (440) 232-6062
www.allfasteners.com

SAFETY CLIMB INSTALLATION INSTRUCTIONS

PART NUMBER:	14PMSC, 14RCL & 14LMSC
ITEM NAME:	SAFETY CLIMB ASSEMBLY

Users are advised to use this product strictly as intended by the manufacturer. Allfasteners disclaims all liability for any injury or damage resulting from the incorrect installation or use of this product. By using this product, users agree to hold Allfasteners harmless against any such claims.

MAINTENANCE

WARRANTY

WARRANTY PERIOD ON THIS SYSTEM - 3 YEARS FROM DATE OF PURCHASE.

Warranty on full system is for 3 years from date of purchase. Warranty does not include general wear and tear and is subject to approval/inspection by manufacturer.

Should you have a warranty claim as a result of a defect the following procedure must be followed:

Identify the following information:

- The product/system name and code number.
- The date of purchase/installation.
- Installation company details.
- The installation identification number.
- The name of the company using this system.
- A description of the defect/warranty claim.
- The periodic system maintenance report.

Forward the above information to sales@allfasteners.com or contact 888.859.6060.

For more information on Allfasteners terms & conditions, or other policies, scan the QR code below.



Terms & Conditions of Sale



Return Policy



959 LAKE ROAD MEDINA, OHIO 44256
P (440) 232-6060 F (440) 232-6062
www.allfasteners.com

SAFETY CLIMB INSTALLATION INSTRUCTIONS

PART NUMBER:	14PMSC, 14RCL & 14LMSC
ITEM NAME:	SAFETY CLIMB ASSEMBLY

Users are advised to use this product strictly as intended by the manufacturer. Allfasteners disclaims all liability for any injury or damage resulting from the incorrect installation or use of this product. By using this product, users agree to hold Allfasteners harmless against any such claims.

DATE: 5/2024

PAGE: 47

PREP BY: AF



LOCATIONS NATIONWIDE

888.859.6060

SALES@ALLFASTENERS.COM

Users are advised to use this product strictly as intended by the manufacturer. Allfasteners disclaims all liability for any injury or damage resulting from the incorrect installation or use of this product. By using this product, users agree to hold Allfasteners harmless against any such claims.

DATE: 5/2024

PAGE: 48

PREP BY: AF