

# STRUT PIPE CLAMPS

ELECTRO-GALV., COPPER, HOT DIP GALVANIZED & 304 STAINLESS STEEL

CERTIFICATION

TECHNICAL DATA



**FOR INSTALL SUPPORT**  
[sales@allfasteners.com](mailto:sales@allfasteners.com)



**FOR SPECIFICATION SUPPORT**  
[certs@allfasteners.com](mailto:certs@allfasteners.com)



**FOR CUSTOMER SUPPORT**  
888.859.6060



# STRUT PIPE CLAMPS

ELECTRO-GALV., COPPER, HOT DIP GALVANIZED & 304 STAINLESS STEEL

**Strut Pipe Clamps** are used to attach pipes and conduit to strut channel assemblies. They are made of steel and have electro-galvanized, copper, hot dip galvanized and 304 stainless steel finishes.

Strut Pipe Clamps also available for EMT conduit.

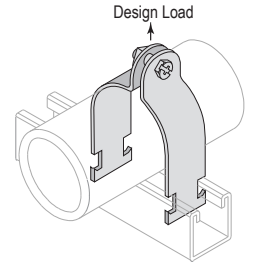


## MATERIAL SPECIFICATIONS

**TABLE 1: MATERIAL SPECIFICATIONS**

CARBON STEEL – ASTM A1011-00 SS GR 33 OR ASTM A1011-00CS TYPE B	
<b>ELECTRO-GALVANIZED</b>	Electro-Galvanized. Electroplating deposits zinc on the surface of the steel by electrolysis from a bath of zinc salts. Recommended for relatively dry indoor use. Thickness of applied zinc is between 0.2 mils to 0.5 mils [5.1 µm to 12.7 µm]. Coatings on EG products meet ASTM B633 SC1 Type III.
<b>COPPER</b>	Copper Zinc Dichromate. A 0.2 mil [5 µm] electro-galvanized zinc plating finished with a copper dichromate coating which meets ASTM B633 SC1 Type II. This copper colored coating improves corrosion resistance over colorless coatings and acts as a non-porous barrier that does not react adversely with copper pipe or tubing.
<b>HOT DIP GALVANIZED</b>	Hot Dip Galvanized After Fabrication. Fabricated product is dipped in molten zinc and is completely covered on all surfaces. Recommended for outdoor use. Coatings on HD products meet ASTM A123/153. The zinc coating is typically 2.6 mils [66.0 µm ] or 1.5 oz. per square foot [0.46 kg per square meter] per side.
<b>304 STAINLESS STEEL</b>	304 Stainless Steel – ASTM A240 (Type 304)

## TECHNICAL SPECIFICATIONS



**TABLE 2: DESIGN LOADS STRUT PIPE CLAMPS - ELECTRO-GALV, HOT DIP GALV & 304 STAINLESS**

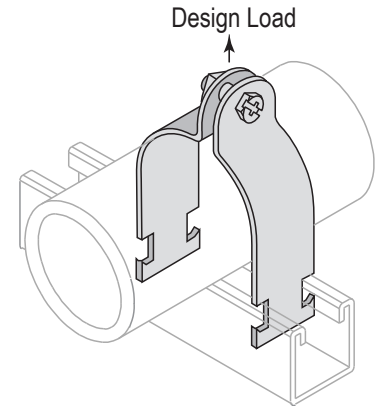
PART # ELECTRO-GALV	PART # HDG	PART # 304 SS	NOMINAL PIPE SIZE (in.)	O.D. (in.)	DESIGN LOAD		WEIGHT (lbs.)
					lbs.	kN	
6SCGV0012	—	6SCS20012	1/2	0.706-0.840	400	1.78	0.10
6SCGV0034	6SCHG0034	6SCS20034	3/4	0.922-1.050	600	2.67	0.13
6SCGV0100	6SCHG0100	6SCS20100	1	1.163-1.315	600	2.67	0.15
6SCGV0114	6SCHG0114	6SCS20114	1-1/4	1.510-1.660	600	2.67	0.17
6SCGV0112	6SCHG0112	6SCS20112	1-1/2	1.740-1.900	800	3.56	0.29
6SCGV0200	6SCHG0200	6SCS20200	2	2.197-2.375	800	3.56	0.34
6SCGV0212	6SCHG0212	6SCS20212	2-1/2	2.875	800	3.56	0.39
6SCGV0300	6SCHG0300	6SCS20300	3	3.500	800	3.56	0.43
—	6SCHG0312	—	3-1/2	4.000	1000	4.45	0.57
6SCGV0400	6SCHG0400	—	4	4.500	1000	4.45	0.62
6SCGV0600	—	—	6	6.625	1000	4.45	0.85
6SCGV0800	—	—	8	8.625	1000	4.45	1.07
6SCGV1000	—	—	10	10.75	1000	4.45	1.27



# STRUT PIPE CLAMPS

ELECTRO-GALV., COPPER, HOT DIP GALVANIZED & 304 STAINLESS STEEL

## TECHNICAL SPECIFICATIONS



**TABLE 3: DESIGN LOADS STRUT PIPE CLAMPS - COPPER**

PART #	NOMINAL PIPE SIZE (in.)	O.D. (in.)	DESIGN LOAD		WEIGHT (lbs.)
			lbs.	kN	
6SCCG0012	1/2	0.625	400	1.78	0.10
6SCCG0034	3/4	0.875	400	1.78	0.11
6SCCG0100	1	1.125	600	2.67	0.14
6SCCG0114	1-1/4	1.375	600	2.67	0.16
6SCCG0112	1-1/2	1.625	600	2.67	0.16
6SCCG0200	2	2.125	800	3.56	0.30
6SCCG0212	2-1/2	2.625	800	3.56	0.35
6SCCG0300	3	3.125	800	3.56	0.38

**TABLE 4: DESIGN LOADS STRUT PIPE CLAMPS - EMT ELECTRO-GALV**

PART #	NOMINAL PIPE SIZE (in.)	O.D. (in.)	DESIGN LOAD		WEIGHT (lbs.)
			lbs.	kN	
6ECGV0012	1/2	0.706	400	1.78	0.10
6ECGV0034	3/4	0.922	400	1.78	0.11
6ECGV0100	1	1.163	600	2.67	0.14
6ECGV0114	1-1/4	1.51	600	2.67	0.16
6ECGV0112	1-1/2	1.74	800	3.56	0.26
6ECGV0200	2	2.197	800	3.56	0.32



# STRUT PIPE CLAMPS

ELECTRO-GALV., COPPER, HOT DIP GALVANIZED & 304 STAINLESS STEEL

## ORDERING INFORMATION

TABLE 5: ORDERING INFORMATION

PART NUMBER	NOMINAL PIPE SIZE	O.D.	FINISH	QTY/BOX
<b>ELECTRO-GALVANIZED</b>				
6SCGV0012	1/2"	0.706-0.840	Electro-Galvanized	1
6SCGV0034	3/4"	0.922-1.050	Electro-Galvanized	1
6SCGV0100	1"	1.163-1.315	Electro-Galvanized	1
6SCGV0114	1-1/4"	1.510-1.660	Electro-Galvanized	1
6SCGV0112	1-1/2"	1.740-1.900	Electro-Galvanized	1
6SCGV0200	2"	2.197-2.375	Electro-Galvanized	1
6SCGV0212	2-1/2"	2.875	Electro-Galvanized	1
6SCGV0300	3"	3.500	Electro-Galvanized	1
6SCGV0400	4"	4.500	Electro-Galvanized	1
6SCGV0600	6"	6.625	Electro-Galvanized	1
6SCGV0800	8"	8.625	Electro-Galvanized	1
6SCGV1000	10"	10.75	Electro-Galvanized	1
<b>HOT DIP GALVANIZED</b>				
6SCHG0034	3/4"	0.922-1.050	Hot Dip Galvanized	1
6SCHG0100	1"	1.163-1.315	Hot Dip Galvanized	1
6SCHG0114	1-1/4"	1.510-1.660	Hot Dip Galvanized	1
6SCHG0112	1-1/2"	1.740-1.900	Hot Dip Galvanized	1
6SCHG0200	2"	2.197-2.375	Hot Dip Galvanized	1
6SCHG0212	2-1/2"	2.875	Hot Dip Galvanized	1
6SCHG0300	3"	3.500	Hot Dip Galvanized	1
6SCHG0312	3-1/2"	4.000	Hot Dip Galvanized	1
6SCHG0400	4"	4.500	Hot Dip Galvanized	1
<b>304 STAINLESS STEEL</b>				
6SCS20012	1/2"	0.706-0.840	304 Stainless Steel	1
6SCS20034	3/4"	0.922-1.050	304 Stainless Steel	1
6SCS20100	1"	1.163-1.315	304 Stainless Steel	1
6SCS20114	1-1/4"	1.510-1.660	304 Stainless Steel	1
6SCS20112	1-1/2"	1.740-1.900	304 Stainless Steel	1
6SCS20200	2"	2.197-2.375	304 Stainless Steel	1
6SCS20212	2-1/2"	2.875	304 Stainless Steel	1
6SCS20300	3"	3.500	304 Stainless Steel	1

**STRUT PIPE CLAMPS**

ELECTRO-GALV., COPPER, HOT DIP GALVANIZED &amp; 304 STAINLESS STEEL

**ORDERING INFORMATION****TABLE 5: ORDERING INFORMATION**

PART NUMBER	NOMINAL PIPE SIZE	O.D.	FINISH	QTY/BOX
<b>COPPER</b>				
6SCCG0012	1/2"	0.625	Copper	1
6SCCG0034	3/4"	0.875	Copper	1
6SCCG0100	1"	1.125	Copper	1
6SCCG0114	1-1/4"	1.375	Copper	1
6SCCG0112	1-1/2"	1.625	Copper	1
6SCCG0200	2"	2.125	Copper	1
6SCCG0212	2-1/2"	2.625	Copper	1
6SCCG0300	3"	3.125	Copper	1
<b>EMT ELECTRO-GALVANIZED</b>				
6ECGV0012	1/2"	0.706	Electro-Galvanized	1
6ECGV0034	3/4"	0.922	Electro-Galvanized	1
6ECGV0100	1"	1.163	Electro-Galvanized	1
6ECGV0114	1-1/4"	1.51	Electro-Galvanized	1
6ECGV0112	1-1/2"	1.74	Electro-Galvanized	1
6ECGV0200	2"	2.197	Electro-Galvanized	1