



# ADJUSTABLE SWIVEL RING HANGER

PRE-GALVANIZED & OPTIONAL FINISHES

Flared rivet nut prevents nut from falling out during installation.  
Also known as sprinkler hanger or loop hanger.



Pre-Galvanized



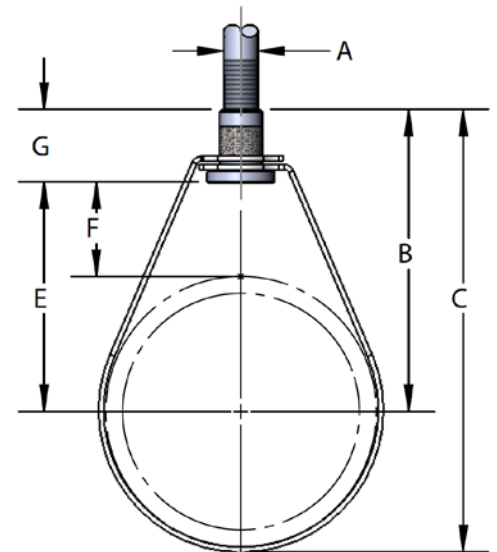
Other finishes available.  
Ask for more information

## KEY BENEFITS

- Pre-Galvanized
- Sprinkler Hanger
- UL® Listed
- FM Approved
- Available for pipe sizes ranging from 1/2" up to 6"

## DIMENSIONAL DATA

Pipe Size	Pipe O.D.	A	B	C	E	F	G	WGT EACH (lbs)	MAX REC LOAD (lbs)
1/2	0.840	3/8	2-1/2	2-7/8	1-5/8	1-3/16	7/8	0.08	400
3/4	1.050	3/8	2-7/16	2-15/16	1-9/16	1-1/16	7/8	0.08	400
1	1.315	3/8	2-5/8	3-1/4	1-3/4	1-1/16	7/8	0.08	600
1-1/4	1.660	3/8	2-9/16	3-3/8	1-11/16	7/8	7/8	0.10	600
1-1/2	1.900	3/8	2-11/16	3-5/8	1-13/16	7/8	7/8	0.10	600
2	2.375	3/8	3-3/8	4-1/2	2-1/2	1-5/16	7/8	0.12	600
2-1/2	2.875	3/8	3-11/16	5-1/8	2-3/4	1-1/4	1-1/16	0.32	600
3	3.500	1/2	4	5-7/8	3-1/8	1-1/8	1-1/16	0.35	600
3-1/2	4.000	1/2	4-5/16	6-5/8	3-5/8	1-1/2	1-1/16	0.39	600
4	4.500	5/8	4-15/16	7-1/8	3-7/8	1-1/4	1-1/16	0.32	1000
5	5.563	5/8	5-5/8	8-1/2	4-3/8	1-3/8	1-1/8	0.65	1000
6	6.625	3/4	6-11/16	10-1/8	5-5/16	2	1-3/8	1.09	1250
8	8.625	3/4	8-5/16	12-7/8	6-15/16	2-5/8	1-3/8	1.24	1250





# ADJUSTABLE SWIVEL RING HANGER

PRE-GALVANIZED & OPTIONAL FINISHES

## DIMENSIONAL DATA (CONT'D)

<b>Materials/Finishes</b>	Pre-Galvanized Plastic Coated
<b>Variants</b>	Pre-Galvanized, 3/16" Felt-lined 1/2" - 2"
<b>Service</b>	Designed for the suspension of insulated and non-insulated pipe lines. The plastic coated band hanger protects the pipe from the steel surface of the hanger and is designed to reduce noise, vibration and prevents electrolysis between pipe and the hanger.
<b>Approvals</b>	Complies with Manufacturers' Standardization Society MSS SP-58 and SP-69 (Type# 10). UL approved on sizes 3/4" - 8". FM approved on sizes 3/4" - 2".
<b>Ordering</b>	Specify figure number, finish and pipe size.
<b>Notes</b>	N/A

## ORDERING INFORMATION

PART #	PIPE SIZE	ROD SIZE	QTY/BOX	QTY/CTN
6ASRG0012	1/2	3/8	1	100
6ASRG0034	3/4	3/8	1	100
6ASRG0100	1	3/8	1	100
6ASRG0114	1-1/4	3/8	1	100
6ASRG0112	1-1/2	3/8	1	100
6ASRG0200	2	3/8	1	100
6ASRG0212	2-1/2	1/2	1	50
6ASRG0300	3	1/2	1	50
6ASRG0400	4	5/8	1	25
6ASRG0500	5	5/8	1	25
6ASRG0600	6	3/4	1	15
6ASRG0800	8	3/4	1	10