



[®] **A** TANK VENT
SUBMITTAL PACKAGE
ALUMINUM & HDPE
CONSTRUCTION

- 2 | Introduction
- 3 | Tank Vents Overview & Information
- 4 | Technical Drawings

To whom it may concern:

I would like to formally submit Allfasteners' Tank Vent for approval and use with water towers and water tanks. Please reach out to myself should you have any questions regarding the systems submitted or individual products.

Sincerely,

Tony Carmichael

Tony Carmichael | Operations Manager





OVERVIEW & INFORMATION

AF Tank Vents offer the water tower industry the premier option for proper ventilation on a tank. Along with functionality, tank vents provide a needed safety measure to each tank.

ALL AF TANK
VENTS WORK WITH
WATER TOWER &
TANKS

TANK VENTS, ENSURING SAFETY

Tank vents help allow for proper ventilation on water tanks and towers that's do not have many other kinds of openings. Both manways access points and overflows are examples of openings in tanks. However, neither are designed for proper airflow - leaving sealed tanks without ways for the tank to "breathe." Any tank that is sealed and cannot ventilate properly can pull a vacuum on the tank - resulting in damage.

WHY CHOOSE AF TANK VENTS?

- **Frost Free.** No need to worry about snow or ice build up, AF tank vents are frost free.
- **Custom Options Available.** You choose the buying method that works best for you, whether it's standard sizes or customized sizes upon request.
- **Hardware Included.** No need to worry about missing hardware, each vent comes complete with hardware.
- **Easy Installation.** The tank vent has a steel weld in the neck that is used to easily attach to the tank.
- **Buy online.** No need to compile lists of information and wait for a quote. Just select the items you need to get the job done.
- **Made in USA.** All our vents are fabricated and assembled in the USA.

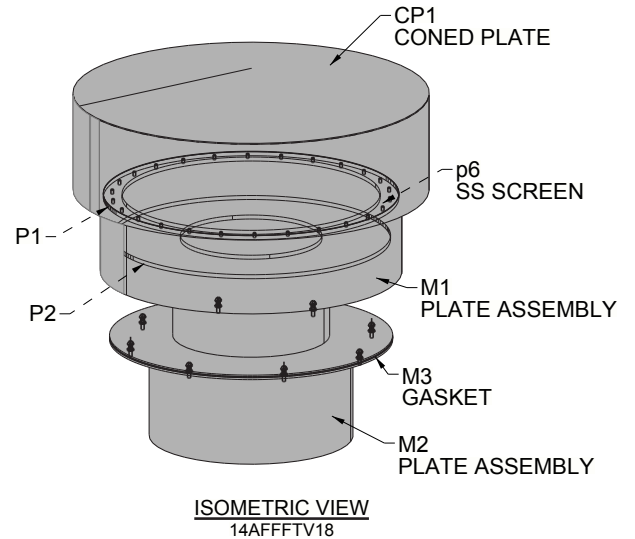
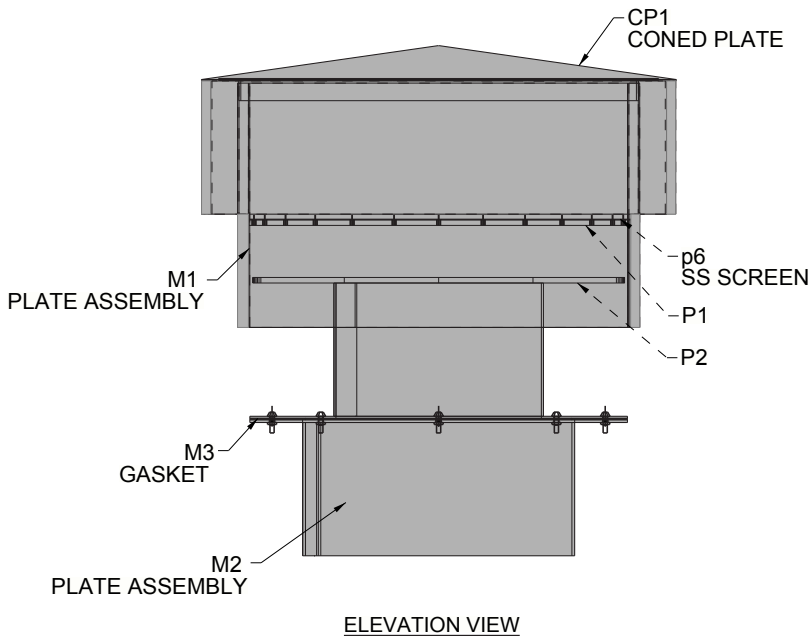
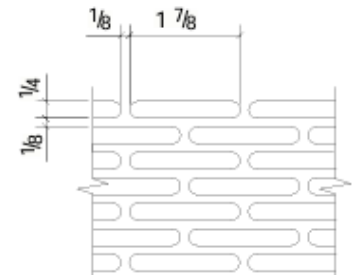
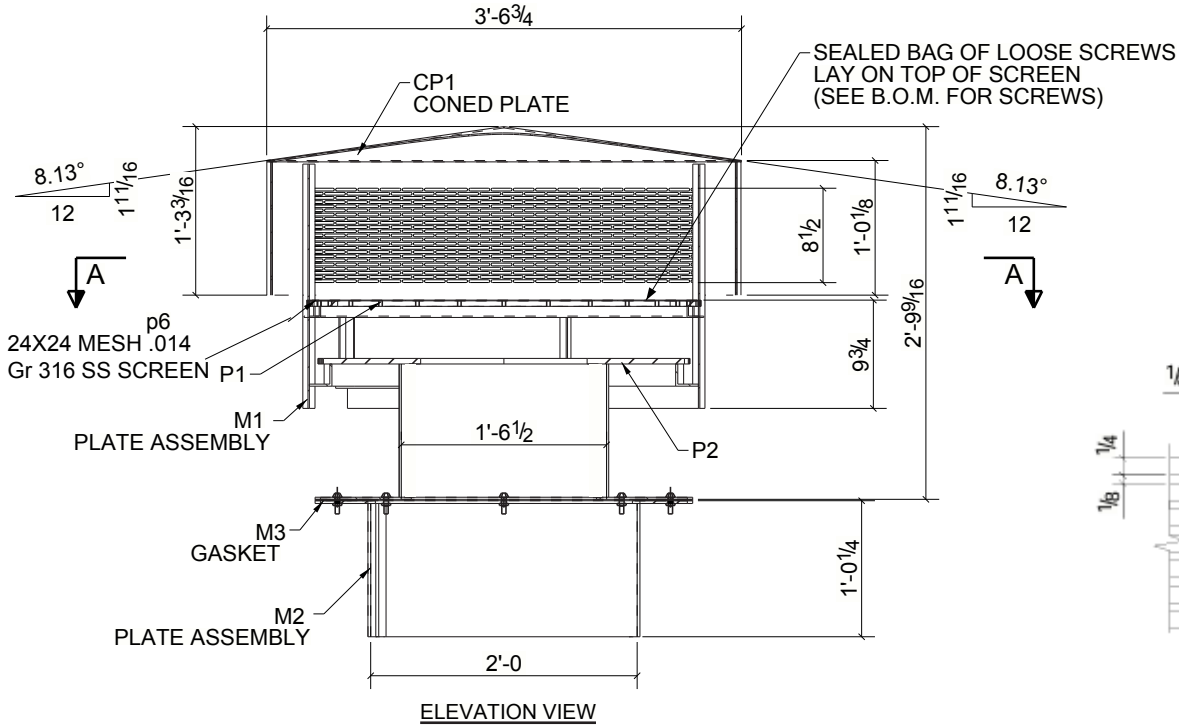


Part# 14AFFTV



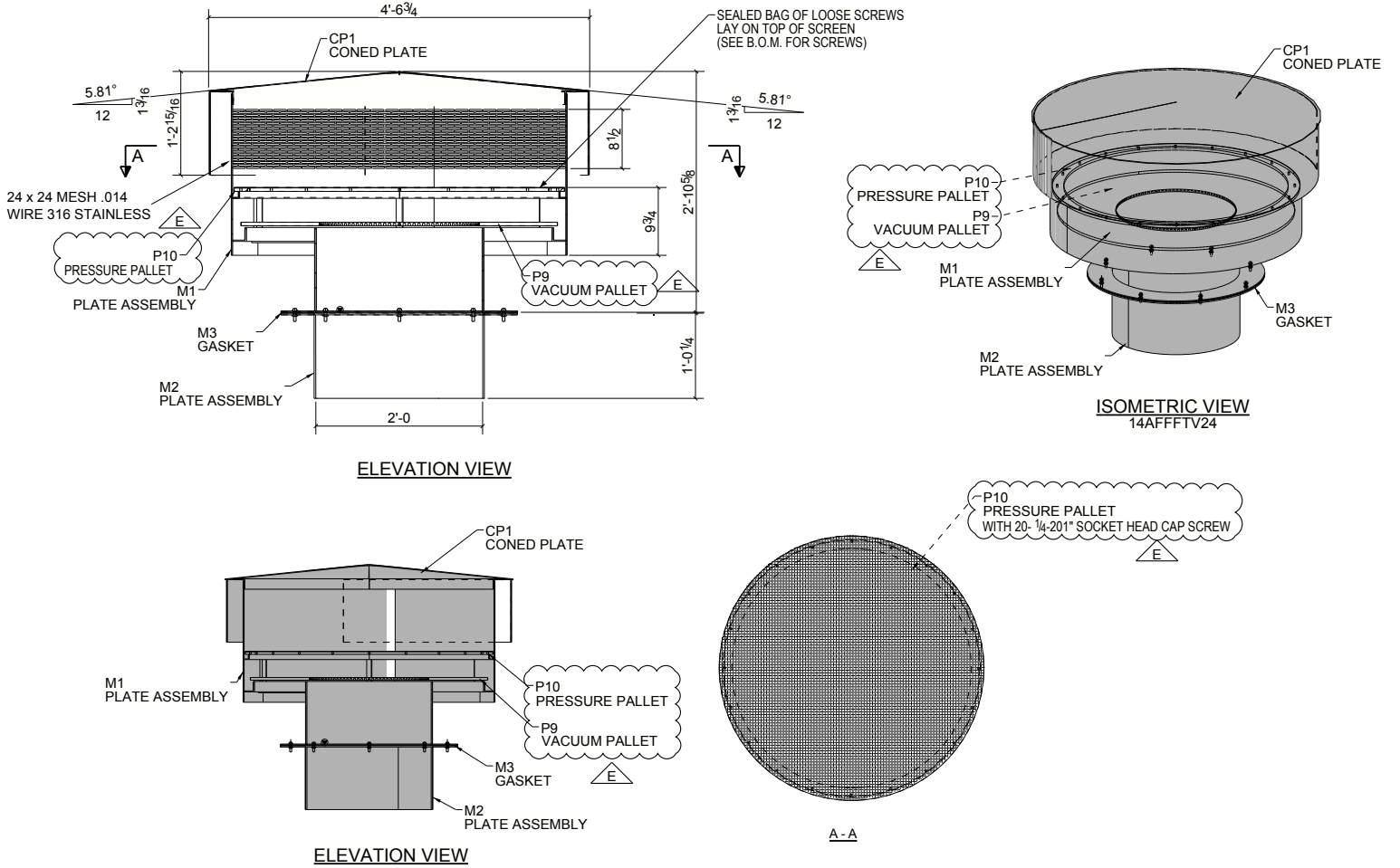


TECHNICAL DRAWINGS - 18"





TECHNICAL DRAWINGS - 24"



Note: Vent has sufficient flow to handle 2000 GPM emergency flow event

**FOR ALL
THINGS
FASTENING.** [®] **A**

