

VF200PRO

FAST CURE ADHESIVE ANCHORING INJECTION

CERTIFICATION

TECHNICAL DATA



NSF/ANSI 61
Certified NSF/ANSI 61



ICC-ESR 4632
ICC-ESR Evaluated



FOR INSTALL SUPPORT
sales@allfasteners.com



FOR SPECIFICATION SUPPORT
certs@allfasteners.com



FOR CUSTOMER SUPPORT
888.859.6060





VF200PRO

FAST CURE ADHESIVE ANCHORING INJECTION

VF200PRO is a two-part, high strength, styrene-free, vinyl ester adhesive anchoring system tested for use with threaded rod and reinforcing bar for cracked and uncracked concrete conditions in accordance with ACI355.4 and ICC-ES AC308 and for brick masonry walls.



ICC-ESR 4632



Certified NSF/ANSI 61



IL DOT Approved



OH DOT Approved



VA DOT Approved



IBC Compliant



IRC Compliant



NYC SCA Approved



KEY BENEFITS



ANCHORING



CRACKED CONCRETE



SEISMIC LOADS A - F



LOW VOC COMPLIANT



FAST CURE TIMES

ADVANTAGES & FEATURES

- ICC-ES ESR-4632 for use in cracked and uncracked normal weight and lightweight concrete
- Resists static, wind and earthquake loading in tension and shear - (IBC Seismic Design Categories A through F)
- Full cure in 45 minutes at 70 °F (21 °C)
- Certified - Drinking Water System Components (NSF/ANSI 61) Joining and Sealing
- Resists sustained loads up to 161 °F (72 °C)
- Withstands freeze-thaw conditions

STANDARDS & APPROVALS

- IBC/IRC 2015, 2012, 2009, 2006
- 2010 FBC
- ICC-ES (Concrete) ESR-4632
- NSF/ANSI 61
- ASTM C881-15 & AASHTO M235
- Type I, II, IV & V Grade 3 Class A, B & C
- NYC SCA Masonry – Terra Cotta, code 04250
- NYC SCA Masonry – Exterior Cut Stone, code 04420
- NYC SCA Masonry – Cast Stone, code 04720
- NYC SCA Metals – Structural Steel, code 05120
- IL DOT Approved
- OH DOT Approved
- VA DOT Approved

COLOR RATIO

Part A (Resin) light beige: Part B (Hardener) Black, Mixed Ratio: 1:1 by volume, Mixed Color - Gray

STORAGE & SHELF LIFE

18 months when stored in unopened containers in dry conditions. Store between 41 °F (5 °C) and 77°F (25 °C).

INSTALLATION & COVERAGE

Manufacturer's Printed Installation Instructions (MPII) are available in this Technical Data Sheet (TDS). Due to occasional updates and revisions, always verify that you are using the most current version of the MPII. In order to achieve maximum results, proper installation is imperative.



VF200PRO

FAST CURE ADHESIVE ANCHORING INJECTION



CLEAN UP

Clean uncured materials from tools and equipment with mild solvents. Cured material can only be removed mechanically.

LIMITATIONS & WARNINGS

- Do not thin with solvents, as this will prevent cure
- For anchoring applications, concrete should be a minimum of 21 days old prior to anchor installation per ACI 355.4

SAFETY

Please refer to the Safety Data Sheet (SDS) or call Allfasteners for more information at 800-5-3171.

SPECIFICATION

Anchoring adhesive shall be a two component, 10:1 ratio by volume, vinylester anchoring system supplied in pre-measured cartridges. Adhesive must meet the requirements of ICC-ES AC308, ACI 355.4 and ASTM C881-15 specification for Type I, II, IV, and V, Grade 3 Class A, B & C. Adhesive must have a heat deflection temperature of 192 °F (89 °C) per ASTM D648 and have a compressive yield strength of 11,430 psi (78.8 MPa) at 75 °F (24 °C) after a 7 day cure per ASTM D695. Adhesive shall be VF200PRO from Allfasteners USA, LLC., Medina, Ohio. Anchors shall be installed per the Manufacturer's Printed Installation Instructions (MPII) for VF200PRO anchoring system.

ESR-4632 EVALUATION REPORT

1.0 RECOGNITION & CERTIFICATIONS

VF200PRO Adhesive Anchor System evaluated in this report shows compliance to the following codes and regulations:

- ICC-ESR 4362
- Certified NSF/ANSI 61
- 2018, 2015, 2012, 2009, and 2006 International Building Code® (IBC)
- 2018, 2015, 2012, 2009, and 2006 International Residential Code® (IRC)
- 2013 Abu Dhabi International Building Code (ADIBC)
- ASTM C881 type I, II, IV, V Grade 3
- Class A, B, C AASHTO M235

For evaluation for compliance with codes adopted by the Los Angeles Department of Building and Safety (LADBS) see ESR-4632 LABC and LARC Supplement.

Property evaluated: Structural

2.0 USES

General Uses and Applications include:

- Anchoring threaded rod and reinforcing bar (rebar) into cracked or uncracked concrete using a hammer drill
- Suitable for dry, water saturated, & water-filled conditions using threaded rod or rebar
- Vertical down, horizontal, upwardly inclined and overhead installations

General Material Used In:

- Terracotta
- CMU block
- Hollow core type concrete material"
- Limestone
- Brick
- Hollow Brick



VF200PRO

FAST CURE ADHESIVE ANCHORING INJECTION



2.0 USES (CONTINUED)

Adhesive anchors installed using VF200PRO adhesive are post-installed adhesive anchors used to resist static, wind or earthquake (IBC Seismic Design Categories A - F) tension and shear loads in cracked and uncracked, normal-weight concrete with 1/2-, 5/8-, 3/4-, 7/8- 1-, and 1-1/4- inch diameter (12.7, 15.9, 19.1, 22.2, 25.4 and 31.8mm) threaded steel rods and No. 4 through No.10 steel reinforcing bars in hammer-drilled holes. The anchors are used to resist static, wind or earthquake (IBC Seismic Categories A - F) tension and shear loads in uncracked normal-weight concrete only with 3/8-inch diameter (9.5mm) threaded steel rods and No. 3 steel reinforcing bars in hammer-drilled holes. Use is limited to normal-weight concrete with a

specified compressive strength f'_c of normal 2,500 psi and 8,500 psi (17.2 MPa to 58.6 MPa) {minimum of 24 MPa is required under ADIBC Appendix L, Section 5.1.1}.

The anchor system complies with anchors as described in Section 1901.3 of the 2018 and 2015 IBC, Section 1909 of the 2012 IBC, and is an alternative to cast-in-place and post-installed anchors described in Section 1908 of the 2012 IBC, and sections 1911 and 1912 of the 2009 IBC. The anchor systems may also be used where an engineered design is submitted in accordance with Section R301.1.3 of the IRC.

3.0 DESCRIPTION

3.1 General:

VF200PRO Adhesive Anchor System is comprised of VF-200PRO two-compound adhesive filled in cartridges, static mixing nozzles and manual or powered dispensing tools, hole cleaning equipment and adhesive injection accessories.

VF200PRO adhesive may be used with continuously threaded steel rods or deformed steel reinforcing bars. The primary components of the VF200PRO Adhesive Anchor System, including the VF200PRO adhesive cartridge, static mixing nozzle, the nozzle extension tube and steel anchor elements, are shown in Tables 2 and 3, and figure 1 of this report.

Installation information and parameters are show in Figure 2 and Tables 10, 11, 12, 13 and 14 of this report.

The Manufacturer's printed installation instructions (MPII) as included in the products Technical Data Sheet (TDS) is described in Figure 3 of this report. The MPII is included on each adhesive unit package.

3.2 Materials:

3.2.1 VF200PRO Adhesive: VF200PRO adhesive is an injectable two-component vinyl ester adhesive. The two components are kept separately by means of a labeled dual-cylinder cartridge. The two components combine and react when dispensed through a static mixing nozzle, supplied by Allfasteners, USA, LLC. which is attached (or included with) the cartridge.

VF200PRO is available in 9.5oz (280 mL) and 28-oz (825mL) cartridges. Each cartridge label is marked with the adhesive expiration date. The shelf life, as indicated by the expiration date, applies to an unopened cartridge stored in a dry, dark and cool environment, in accordance with the MPII, as illustrated in Figure 3 of this report.

3.2.2 Hole Cleaning Equipment: Hole cleaning equipment is comprised of steel wire brushes supplied by Allfasteners USA, LLC, and air nozzles which are depicted in Figure 3 of this report.

3.2.3 Dispensers: VF200PRO adhesive must be dispensed with manual dispensers, pneumatic dispensers or electric powered dispensers supplied by Allfasteners USA, LLC.

3.2.4 Steel Anchor Elements:

3.2.4.1 Threaded Steel Rods: Threaded steel rods must be clean and continuously threaded (all-thread) in diameters described in Tables 4 and 10. Specifications for grades of threaded rod, including the mechanical properties, and corresponding nuts and washers, are included in Table 2 of this report. Carbon steel threaded rods must be furnished with a minimum of 0.0002-inch thick (0.052mm) mechanically deposited zinc coating complying with ASTM B695, Class 55. Steel grades and types of material (carbon, stainless) for the washers and nuts must match the threaded rods. Threaded steel rods must be clean, straight and free of indentations or other defects along their length. The embedded end may be flat cut or cut on the bias to a chisel point.



3.0 DESCRIPTION (CONTINUED)

3.2.4.2 Steel Reinforcing Bars: Steel reinforcing bars are deformed reinforcing bars as described in Table 3 of this report. Tables 7 and 11 summarize reinforcing bar size ranges. The embedded portions of reinforcing bars must be clean, straight and free of mill scale, rust, mud, oil, and other coatings (other than zinc) that may impair the bond with the adhesive. Reinforcing bars must not be bent after installation except as set forth in ACI 318-14 2.3 or ACI 318011 D.1, as applicable, with the additional condition that the bars must be bent cold, and heating of reinforcing bars to facilitate field bending is not permitted.

3.2.4.3 Ductility: In accordance with ACI 318-14 2.3 or ACI 318-11 D.1, as applicable, in order for a steel anchor element to be

considered ductile, the tested elongation must be at least 14 percent and reduction of area must be at least 30 percent. Steel elements with a tested elongation less than 14 percent, or both, are considered brittle. Values for various steel materials are provided in Table 2 of this report. Where values are nonconforming or unstated, the steel must be considered brittle.

3.3 Concrete: Normal-weight concrete must comply with Sections 1903 and 1905 of the IBC. The specified compressive strength of the concrete must be from 2,500 psi to 8,500 psi (17.2 MPa to 58.6 MPa) [minimum of 24 MPa is required under AIBC Appendix L, Section 5.1.1].

4.0 DESIGN & INSTALLATION

4.1 Strength Design:

4.1.1 General: The design of anchors under the 2018 and 2015 IBC, as well as the 2018 and 2015 IRC, must be determined in accordance with ACI 318-14 and this report. The design strength of anchors under the 2012, 2009, 2006 IBC, as well as the 2012, 2009, and 2006 IRC, must be determined in accordance with ACI 318-11 and this report.

The strength design of anchors must comply with ACI 318-14 17.3 or 318-11 D.4.1, as applicable, except as required in ACI 318-14 17.2.3 or ACI 318-11 D.3.3, as applicable.

Design parameters are provided in Tables 4 through Table 9 of this report. Strength reduction factors, ϕ , as given in ACI 318-14 17.3.3 or ACI 318-11 D.4.3, as applicable, must be used for load combinations calculated in accordance with Section 1605.2 of the IBC, ACI 318-14 5.3 or ACI 318-11 9.2, as applicable.

Strength reduction factors, ϕ , as given in ACI 318-11 @.4.4 must be used for load combinations calculated in accordance with ACI 318-11 Appendix C.

4.1.2 Static Steel Strength in Tension: The normal static steel strength of a single anchor in tension, N_{sa} , in accordance with ACI 318-14 17.4.1.2 or ACI 318-11 D.5.1.2, as applicable, and the associated strength reduction factors, ϕ , in accor-

dance with ACI 318-14 17.3.3 or ACI 318-11 D.4.3, applicable, are provided in Table 4 and Table 7 of this report for the corresponding anchor steel.

4.1.3 Static Concrete Breakout Strength in Tension: The nominal static concrete breakout strength of a single anchor or group of anchors in tension, N_{cb} or N_{cbg} , must be calculated in, accordance with ACI 318-14 17.4.2 or ACI 318-11 D.5.2, as applicable, with the following addition:

The basic concrete breakout strength of a single anchor in tension, N_b , must be calculated in accordance with ACI 318-14 17.4.2 or ACI 318-11 D.5.2.2, as applicable, using the values of $k_{c,cr}$ and $k_{c,ncr}$ as provided in Table 5 and Table 8 of this report. Where analysis indicates no cracking in accordance with ACI 318-14 17.4.2.6 or ACI 318-11 D.5.2.6, as applicable, N_b must be calculated using $k_{c,unscr}$ and $\Psi_{c,N} = 10$. For anchors in lightweight concrete see ACI 318-14 17.2.6 or ACI 318-11 D.3.6, as applicable. The value of f'_c used for calculation must be limited to 8,000psi (55 MPa) in accordance with ACI 318-14 17.2.7 or ACI 318-11 D.3.7, as applicable. Additional information for the determination of nominal bond strength in tension is given in Section 4.1.4 of this report.

4.1.4 Static Bond Strength in Tension: The nominal static bond strength of a single adhesive anchor or group of adhesive anchors in tension, N_a or N_{ag} , must be calculated in accordance with ACI 318-14 17.4.5 or ACI 318-11 D.5.5, as applicable.

4.0 DESIGN & INSTALLATION (CONTINUED)

4.1.5 Bond strength values ($T_{k,cr}$, $T_{k,un-cr}$) are a function of concrete compressive strength, concrete state (cracked, uncracked), and installation conditions (dry concrete, water-saturated concrete, water-filled holes). The following table summarizes the requirements:

CONCRETE STATE	BOND STRENGTH	CONCRETE COMPRESSIVE STRENGTH	PERMISSIBLE INSTALLATION CONDITIONS	ASSOCIATED STRENGTH REDUCTION FACTOR
Cracked	$T_{k,cr}$	f'_c	Dry Concrete	ϕd
			Water Saturated Concrete	ϕws
			Water-filled Hole (Flooded)	ϕwf
Uncracked	$T_{k,un-cr}$	f'_c	Dry Concrete	ϕd
			Water Saturated Concrete	ϕws
			Water-filled Hole (Flooded)	ϕwf

Strength reduction factors for determination of the bond strength are given in Tables 6 and 9 of this report. Adjustments to the bond strength may also be made for increased concrete compressive strength as noted in the footnotes to corresponding tables in this section.

The bond strength values in Table 6 and Table 9 of this report correspond to concrete compressive strength f'_c equal to 2,500psi and 8,000psi (17.2MPa and 55 MPa), the tabulated characteristic bond strength may be increased by a factor of $(f'_c / 2500)^{0.13}$ [For SI: $(f'_c / 17.2)^{0.13}$] [minimum of 24MPa is required under ADIBC Appendix L, Section 5.1.1]. Where applicable, the modified bond strength values must be used in lieu of $T_{k,cr}$ and $T_{k,un-cr}$ in ACI 318.14 Equations (17.4.5.1d) and (17.4.5.2) or ACI 318-11 Equations (D-21) and (D-22), as applicable.

The resulting nominal bond strength must be multiplied by the associated strength reduction factor ϕd , ϕws or ϕwf , as applicable.

4.1.6 **Static Steel Strength in Shear:** The nominal static steel strength of a single anchor in shear as governed by the steel, V_{sa} , in accordance with ACI 318-14 17.5.1.2 or ACI 318-11

D.6.1.2, as applicable, and the strength reduction factor, ϕ , in accordance with ACI 318-14 17.3.3 or ACI 318-11 D.4.3, as applicable, are given in Table 4 and Table 7 of this report for the corresponding anchor steel.

4.1.7 **Static Concrete Breakout Strength in Shear:** The nominal static concrete breakout strength of a single anchor or group of anchors in shear, V_{cb} or V_{cbq} , must be calculated in accordance with ACI 318-14 17.5.2 or 318-11 D.6.2, as applicable, based on information given in Table 5 and Table 8 in this report.

The basic concrete breakout strength of a single anchor in shear, V_b , must be calculated in accordance with ACI 318-14 17.5.2.2 or ACI 318-11 D.6.2.2, as applicable, using the values of d given in Tables 5 and 8, for the corresponding anchor steel in lieu of d_a (2018, 2015, 2012, and 2009 IBC) and d_o (2006 IRC). In addition, h_{ef} must be substituted for \int_e IN no case shall \int_e exceed $8d$. The value of f'_c shall be limited to a maximum of 8,000psi (55MPa), in accordance with ACI 18-14 17.2.7 or ACI 318-11 D.3.7, as applicable.

4.1.8 **Static Concrete Pryout Strength in Shear:** The nominal static pryout strength of a single anchor or group of anchors in shear, V_{cp} or V_{cpg} , shall be calculated in accordance with ACI 318-14 17.5.3 or ACI 318-11 D.6.3, as applicable.

4.1.9 **Interaction of Tensile and Shear Forces:** For designs that include combined tension and shear, the interaction of tension and shear loads must be calculated in accordance with ACI 318-14 17.6 or ACI 318-11 D.7, as applicable.

4.1.10 **Minimum Member Thickness h_{min} , Anchor Spacing S_{min} , Edge Distance C_{min} :** In lieu of ACI 318-14 17.7.1 and 17.7.3 or ACI 318-11 D.8.1 and D.8.3, as applicable, values of S_{min} and C_{min} described in this report must be observed for anchor design and installation. The minimum member thickness, h_{min} , described in this report must be observed for anchor design and installation. For adhesive anchors that will remain untorqued, ACI 318-14 17.7.4 or ACI 318-11 D.8.4, as applicable.

For anchors that will be torqued during installation, the maximum torque, T_{max} , must be reduced for edge distances less than five anchor diameters ($5d$). T_{max} is subject to the edge distance, C_{min} , and anchor spacing, S_{min} , and shall comply

4.0 DESIGN & INSTALLATION (CONTINUED)

4.1.11 with the following requirements:

INSTALLATION TORQUE SUBJECT TO EDGE DISTANCE			
NOMINAL ANCHOR SIZE, D	MINIMUM EDGE DISTANCE, C _{MIN}	MINIMUM ANCHOR SPACING, S _{MIN}	MAXIMUM TORQUE, T _{MAX}
All sizes	5d	5d	1.0 · T _{max}
3/8in. to 1in.	17.5in. (44.5mm)	5d	0.45 · T _{max}
1-1/4in.	2.75in. (70mm)		
For values of T _{max} , see Table 10 of this report.			

4.1.12 **Critical Edge Distance C_{ac} and Ψ_{cp,Na}**: The modification factor Ψ_{cp,Na} must be determined in accordance with ACI 318-14 17.4.5.5 or ACI 318-11 D.5.5.5, as applicable, except as noted below:

For all cases where C_{Ne}/C_{ac} < 1.0, Ψ_{cp,Na}, determined from ACI 318-14 Eq. 17.4.5.5b or ACI 318-11 Eq. D-27, as applicable, need not be taken less than C_{Ne}/C_{ac}. For all other cases Ψ_{cp,Na} shall be taken as 1.0.

The critical edge distance C_{ac} must be calculated according to Eq. 17.4.5.5c for ACI 318-14 or Eq. D-27a for ACI 318-11, in lieu of ACI 318-14 17.7.6 or ACI 318-11 D.8.6, as applicable.

$$C_{ac} = h_{ef} \left(\frac{T_{k,uncr}}{1160} \right)^{0.4} \cdot \left[3.1 - 0.7 \frac{h}{h_{ef}} \right]$$

(Eq. 17.4.5.5c for ACI 318-14 or Eq. D-27a for ACI 318-11)

Where

$\left[\frac{h}{h_{ef}} \right]$ need not be taken as larger than 2.4; and

T_{k,uncr} = the characteristic bond strength stated in the tables of this report whereby T_{k,uncr} need not be taken as larger than:

$$T_{k,uncr} = \frac{k_{uncr} \sqrt{h_{ef} f'_c}}{\pi \cdot d_a} \quad \text{Eq. (4-1)}$$

4.1.13 Requirements for Seismic Design Categories C, D, E and F: In structures assigned to Seismic Design Category C, D, E or F under the IBC or IRC, anchors must be designed in accordance with ACI 318-14 17.2.3 or ACI 318-11 D.3.3, as applicable.

The nominal steel shear strength, V_{sa}, must be adjusted by αV_{seis} as given in Tables 4 and 7 for the corresponding anchor steel. The nominal bond strength T_{k,cr} must be adjusted by αN_{seis} as given in Tables 6 and 9 for threaded rods. An adjustment to the nominal bond strength T_{k,cr} is not required for reinforcing bars (αN_{seis} = 1.0).

As an exception to ACI 318-11 Section D.3.3.4.2: Anchors designed to resist wall out-of-plane forces with design strengths equal to or greater than the force determined in accordance with ASCE 7 Equation 12.11-1 or 12.14-10 shall be deemed to satisfy Section ACI 318-11 D.3.3.4.3(d).

Under ACI 318-11 D.3.3.4.3(d), in lieu of requiring the anchor design tensile strength to satisfy the tensile strength requirements of ACI 318-11 D.4.1.1, the anchor design tensile strength shall be calculated from ACI 318-11 D.3.3.4.4.

The following exceptions apply to ACI 318-11 D.3.3.5.2:

1. For the calculation of the in-plane shear strength of anchor bolts attaching wood sill plates of bearing or non-bearing walls of light-frame wood structures to foundations or foundation stem walls, the in-plane shear strength in accordance with ACI 318-11 D.6.2 and D.6.3 need not be computed and ACI 318-11 D.3.3.5.3 need not apply provided all of the following are satisfied:
 - 1.1. The allowable in-plane shear strength of the anchor is determined in accordance with AF&PA NDS Table 11E for lateral design values parallel to grain.
 - 1.2. The maximum anchor nominal diameter is 5/8 inch (16mm).
 - 1.3. Anchor bolts are embedded into concrete a minimum of 7 inches (178mm).
 - 1.4. Anchor bolts are located a minimum of 1-3/4 inches (45mm) from the edge of the concrete parallel to the length of the wood sill plate.
 - 1.5. Anchor bolts are located a minimum of 15 anchor diameters from the edge of the concrete perpendicular

4.0 DESIGN & INSTALLATION (CONTINUED)

- 1.1. to the length of the wood sill plate.
- 1.2. The sill plate is 2-inch or 3-inch nominal thickness.

1. For the calculation of the in-plane shear strength of anchor bolts attaching cold-formed steel track of bearing or non-bearing walls of light-frame construction to foundation or foundation stem walls, the in-plane shear strength in accordance with ACI 318-11 D.6.2 and D.6.3 need not be computed and ACI 318-11 D.3.3.5.3 need not apply provided all of the following are satisfied:

- 2.1. The maximum anchor nominal diameter is 5/8 inch (16mm).
- 2.2. Anchors are embedded into concrete a minimum of 7 inches (178mm).
- 2.3. Anchors are located a minimum of 1-3/4 inches (45mm) from the edge of the concrete parallel to the length of the track.
- 2.4. Anchors are located a minimum of 15 anchor diameters from the edge of the concrete perpendicular to the length of the track.
- 2.5. The track is 33 to 68mil designation thickness.

Allowable in-plane shear strength of exempt anchors, parallel to the edge of concrete, shall be permitted to be demerited in accordance with AISI S100 Section E.3.3.1.

2. In light-frame construction, bearing or non-bearing walls, shear strength of anchors less than or equal to 1 inch (25mm) in diameter attaching a sill plate or track to foundation or foundation stem wall need not satisfy ACI 318-11 D.3.3.5.3(a) through (c) when the design strength of the anchors is determined in accordance with ACI 318-11 D.6.2.1(c).

4.1 Installation:

Installation parameters are illustrated in Figure 3 of this report. Installation must be in accordance with ACI 381-14 1.8.1 and 17.8.2 or ACI 318-11 D.9.1 and D.9.2. Anchor locations must comply with this report and the plans and specifications approved by the code official. Installation of the VF200PRO Adhesive Anchor System must conform to the manufacturer's printed installation instructions included in each unit package as described in Figure 3 of this report.

The adhesive Anchor system may be used for upwardly inclined orientation applications (e.g. overhead). Upwardly

inclined and horizontal orientation applications are to be installed using piston plugs for the 5/8-inch through 1-1/4-inch diameter threaded steel rods and No.5 through No.10 steel reinforcing bars, installed in the specified hole tube supplied by Allfasteners USA, LLC. as described in Figure 3 in this report. Upwardly inclined and horizontal orientation installation for the 3/8-inch and 1/2-inch diameter threaded rods, and No.3 and No.4 steel reinforcing bars, may be injected directly to the end of the hold using mixing nozzle with a bore hole depth $d_o \leq 10"$ (250mm).

Installation of anchors in horizontal or upwardly inclined orientations shall be fully restrained from movement throughout the specified curing period through the use of temporary wedges, external supports, or other methods. Where temporary restraint devices are used, their use shall not result in impairment of the anchor shear resistance.

4.2 Special Inspection:

Periodic special inspection must be preformed where required in accordance with Section 1705.1.1 and Table 105.3 of the 2018, 2015 and 2012 IBC, 1704.4 and 104.15 of the 2009 IBC or Section 104.13 of the 2006 IBC and this report. The special inspector must be on the jobsite initially during anchor installation to verify the anchor type, adhesive expiration date, anchor dimensions, concrete type, concrete compressive strength, hole dimensions, hole cleaning procedures, anchor spacing, edge distances, concrete thickness, anchor embedment, tightening torque, and adherence to the manufacturer's printed installation instructions.

The special inspector must verify the initial installations of each type and size of adhesive anchor by construction personnel on site. Subsequent installations of the same anchor type and size by the same construction personnel are permitted to be performed in the absence of the special inspector. Any change in the anchor product being installed or the personnel performing the installation requires an initial inspection. For ongoing installations over an extended period, the special inspector must take regular inspections to conform correct handling and installation of the product.

Continuous special inspection of adhesive anchors installed in horizontal or upwardly inclined orientations to resist sustained tension loads must be preformed in accordance with



4.0 DESIGN & INSTALLATION (CONTINUED)

- 4.1 ACI 318-14 1.8.2.4, 26.7.1(h) and 26.13.3.2(c) or ACI 318-11 D.9.2.4, as applicable.

Under the IBC, additional requirements as set forth in Sections 105, 106, or 107 must be observed, where applicable.

4.2 **Compliance with NSF/ANSI Standard 61:**

The VF200PRO Adhesive Anchor System complies with the

requirements of NSF/ANSI Standard 61, as referenced in Section 605 of the 208, 2015, 2012, 2009 and 2006 *International Plumbing Code*® (IPC) and is certified for use as an anchoring adhesive for installing threaded rods less than or equal to 1.3 inches (33mm) in diameter in concrete for water treatment applications.

5.0 CONDITIONS OF USE

The VF200PRO Adhesive Anchor System described in this report complies with, or is a suitable alternative to what is specified in, those codes listed in Section 1.0 of this report, subject to the following conditions:

- 5.1. VF200PRO adhesive anchors must be installed in accordance with the manufacturer's printed installation instructions included with each cartridge and provided in Figure 3 of this report.
- 5.2. Anchors [1/2-, 5/8-, 3/4-, /8-, 1- and 1-1/4 diameter (12.7, 15.9, 19.1, 22.2, 25.4 and 31.8mm) threaded steel rods and No.4 through No.10 steel reinforcing bars] described in this report must be installed in cracked and uncracked normal-weight concrete having a specified compressive strength $f'_c = 2,500\text{psi}$ to $8,500\text{psi}$ (17.2 MPa to 58.6 MPa) [minimum of 24 MPa is required under ADIBC Appendix L, Section 5.1.1]. Anchors [3/8-inch-diameter (9.5mm)] threaded steel rods and No. 3 steel reinforcing bars in hammer-drilled holes must be installed in uncracked normal-weight concrete having a specified compressive strength $f'_c = 2,500\text{psi}$ to $8,500\text{psi}$ (17.2 MPa to 58.6 MPa) [minimum of 24 MPa is required under ADIBC Appendix L, Section 5.1.1].
- 5.3. The values f'_c of used for calculation purposes must not exceed 8,000psi (55 MPa).
- 5.4. Anchors must be installed in concrete base materials in holes predrilled in accordance with the instructions provided in Figure 3 of this report.
- 5.5. Loads applied to the anchors must be adjusted in accordance with Section 1605.2 of the IBC for strength design.
- 5.6. In structures assigned to Seismic Design Categories C, D, E, and F under the IBC or IRC, anchor strength must be adjusted in accordance with Section 4.1.11 of this report.
- 5.7. VF200PRO adhesive anchors are permitted to be installed in

concrete that is cracked or that many be expected to crack during the service life of the anchor, subject to the conditions of this report. For exceptions, see Section 5.2 of this report.

- 5.8. Strength design values are established in accordance with Section 4.1 of this report.
- 5.9. Minimum anchor spacing and edge distance as well as minimum embedment thickness must comply with the values described in this report.
- 5.10. Prior to anchor installation, calculations and details demonstrating compliance with this report must be submitted to the code official. The calculations and details must be prepared by a registered design professional where required by the statutes of the jurisdiction in which the project is to be constructed.
- 5.11. Anchors are not permitted to support fire-resistive construction. Where not otherwise prohibited by the code, VF200PRO adhesive anchors are permitted for installation in fire-resistive construction provided that at least one of the following conditions are fulfilled:
 - Anchors are used to resist wind or seismic forces only.
 - Anchors that support gravity load-bearing structural elements are within a fire-resistive envelope or a fire-resistive membrane, are protected by approved fire-resistance materials, or have been evaluated for resistance to fire exposure in accordance with recognized standards.
 - Anchors are used to support non-structural elements.
- 5.12. Since an ICC-ES acceptance criteria for evaluating data to determine the performance of adhesive anchors subjected to fatigue or shock loading is unavailable at this time, the use of these anchors under such conditions is beyond the scope of this report.
- 5.13. Use of zinc-plated carbon steel threaded rods or steel rein



VF200PRO

FAST CURE ADHESIVE ANCHORING INJECTION



5.0 CONDITIONS OF USE (CONTINUED)

- 5.1. forcing bars is limited to dry, interior locations.
- 5.2. Use of hot-dipped galvanized carbon steel and stainless steel rods is permitted for exterior exposure or damp environments.
- 5.3. Steel anchoring materials in contact with preservative-treated and fire-retardant-treated wood shall be of zinc-coated steel or stainless steel. The minimum coating weights for zinc-coated steel shall be in accordance with ASTM A153.
- 5.4. Periodic special inspection must be provided in accordance with Section 4.3 in this report. Continuous special inspection for anchors installed in horizontal or upwardly inclined orientations to resist sustained tension loads must be provided in accordance with Section 4.3 of this report.
- 5.5. Installation of anchors in horizontal or upwardly inclined orientations to resist sustained tension loads must be performed by personnel certified by an applicable certification program in accordance with ACI 318-14 17.8.2.2 or 17.8.2.3 or ACI 318-11 D.9.2.2 or D9.2.3, as applicable.
- 5.6. Anchors shall not be used for installations where the concrete temperature can vary from 40°F (5°C) or less to 80°F (27°C) or higher within a 12-hour period. Such applications may include but are not limited to anchorage of building facade systems and other applications subject to direct sunlight.
- 5.7. VF200PRO anchoring system is manufactured under a quality control program with inspections by ICC-ES.

6.0 EVIDENCE SUBMITTED

Data in accordance with the ICC-ES Acceptance Criteria for Post-installed Adhesive Anchors in Concrete (AC308), dated October 201 (Editorially revised March 2018), which incorporates requirements ACI 355.4-11.

7.0 IDENTIFICATION

- 7.1. VF200PRO adhesive is identified by packaging labeled with the company's name (Allfasteners USA, LLC.) and the evaluation report number (ESR-4632). Threaded rods, nuts, washers, and deformed reinforcing bars are standard steel anchoring elements and must conform to applicable national or international specifications as set forth in Tables 2 and 3 of this report.
- 7.2. The report holder's contact information is the following

Allfasteners USA, LLC.
959 Lake Road
Medina, Ohio 44256
(201) 783-8836
www.allfasteners.com
sales@allfasteners.com



DESIGN & TECHNICAL SPECIFICATIONS

TABLE 1: DESIGN TABLE INDEX

	DESIGN STRENGTH ¹	THREADED ROD	REINFORCING BARS (REBAR)
Steel	N_{sa}, V_{sa}	Table 4	Table 7
Concrete	$N_{pn}, N_{sb}, N_{sbq}, N_{cb}, N_{cbq}, V_{cb}, V_{cbq}, V_{cp}, V_{cpg}$	Table 5	Table 8
Bond ²	N_a, N_{ag}	Table 6	Table 9

1. Ref. ACI 318-14 1.3.1.1. or 318-11 D.4.1.1, as applicable.
2. See Section 4.1 of this evaluation report.

TABLE 2: SPECIFICATIONS & PHYSICAL PROPERTIES OF CARBON & STAINLESS STEEL THREADED ROD MATERIALS¹

THREADED ROD SPECIFICATION			MINIMUM SPECIFIED ULTIMATE STRENGTH, f_{uta}	MINIMUM SPECIFIED YIELD STRENGTH 0.2 PERCENT OFFSET, f_{ya}	f_{uta}/f_{ya}	ELONGATION MIN. PERCENT ⁵	REDUCTION OF AREA, MIN. PERCENT	SPECIFICATION FOR NUTS ⁶	SPECIFICATION FOR WASHER ⁶
Carbon Steel	ASTM A193 ² Grade B7 All sizes	psi (MPa)	125,000 (862)	05,000 (724)	1.19	16	50	ASTM A563 Grade D	ASTM F436
	ASTM A36 ³ / F1554, Grade 36 All sizes	psi (MPa)	58,000 (400)	36,000 (250)	1.61	23	50	ASTM A563 Grade A	ASTM B18.22.1 Type A Plain
Stainless Steel (304/316)	ASTM F593 ⁴ CW1 3/8 to 5/8 in.	psi (MPa)	100,000 (690)	65,000 (450)	1.54	40	.7	ASTM F594 Alloy Group 1, 2 or 3	ASTM B18.22.1 Type A Plain
	ASTM F594 ³ CW2 3/4 to 1-1/4 in.	psi (MPa)	85,000 (590)	45,000 (310)	1.89	40	.7		

1. Adhesive must be used with continuously threaded carbon or stainless steel rod (all-thread) having thread characteristics complying with ANSI B1.1 UNC Coarse Thread Series.
2. Standard specification for Alloy-Steel and stainless steel bolting materials for high temperature of high pressure service and other special purpose applications.
3. Standard specification for carbon structural steel.
4. Standard specification for stainless steel bolts, hex cap screws, and studs.
5. Based on 2-in. (50mm) gauge length except for ASTM A193, which is based on a gauge length of 4d.
6. Nuts and washers of other grades and style having specified proof load stress greater than the specified grade and style are also suitable. Nuts must have specified proof load stresses equal to or great than the minimum tensile strength of the specified threaded rod.
7. Minimum percent reduction of area not reported in the referenced ASTM standard.

TABLE 3: SPECIFICATIONS & PHYSICAL PROPERTIES OF STEEL REINFORCING BARS

REINFORCING BAR SPECIFICATION	UNITS	MINIMUM SPECIFIED ULTIMATE STRENGTH, f_{ya}	MINIMUM SPECIFIED YIELD STRENGTH, f_{ya}
ASTM A615 ¹ , A767 ³ , A996 ⁴ -Grade 60	psi (MPa)	90,000 (620)	60,000 (414)
ASTM A615 ¹ , Grade 40	psi (MPa)	60,000 (414)	40,000 (275)

1. Standard specification for deformed and plain carbon-steel bars for concrete reinforcement.
2. Standard specification for low-alloy steel deformed and plain bars for concrete reinforcement.
3. Standard specification for zinc-coated (galvanized) steel bars for concrete reinforcement.
4. Standard specification for rail-steel and axle-steel deformed bars for concrete reinforcement.



DESIGN & TECHNICAL SPECIFICATIONS

TABLE 4: SPECIFICATIONS & PHYSICAL PROPERTIES OF CARBON & STAINLESS STEEL THREADED ROD MATERIALS¹

DESIGN INFORMATION		SYMBOL	UNITS	THREADED ROD DIAMETER (in.)						
				3/8	1/2	5/8	3/4	7/8	1	1-1/4
Nominal Anchor Diameter		d	in (mm)	0.375 (9.5)	0.500 (12.7)	0.625 (15.9)	0.750 (19.1)	0.875 (22.2)	1.000 (25.4)	1.250 (31.8)
Threaded Rod Cross-Sectional Area		A_{sa}	in ² (mm)	0.0775 (50)	0.1419 (92)	0.2260 (146)	0.3345 (216)	0.4617 (298)	0.6057	0.9691
ASTM A36, Grade 36 ASTM F154, Grade 36	Nominal Strength as Governed by Steel Strength	N_{sa}	lb (kN)	4,495 (20.0)	8,230 (36.6)	13,110 (58.3)	19,400 (86.3)	26,780 (119.1)	35,130 (156.3)	56,210 (250.0)
		V_{sa}	lb (kN)	2,695 (12.0)	4,490 (22.0)	7,860 (35.0)	11,640 (51.8)	16,070 (71.4)	21,080 (93.8)	33,725 (150.0)
	Reduction factor for Seismic Shear	$\alpha_{V,seis}$	-	Not Applicable	0.85				0.80	
	Strength Reduction Factor for Tension ²	ϕ	-	0.75						
	Strength Reduction Factor for Shear ²	ϕ	-	0.65						
ASTM A193 Grade B7 ASTM F1554, Grade 105	Nominal Strength as Governed by Steel Strength	N_{sa}	lb (kN)	9,685 (43.1)	17,735 (78.9)	28,250 (125.7)	41,820 (186.0)	57,710 (256.7)	75,710 (336.8)	121,135 (538.6)
		V_{sa}	lb (kN)	4,845 (21.5)	10,640 (47.3)	16,950 (75.4)	25,085 (126.5)	34,625 (154.0)	45,425 (202.1)	72,680 (323.3)
	Reduction factor for Seismic Shear	$\alpha_{V,seis}$	-	Not Applicable	0.85				0.80	
	Strength Reduction Factor for Tension ²	ϕ	-	0.75						
	Strength Reduction Factor for Shear ²	ϕ	-	0.65						
ASTM F593 CW Stainless	Nominal Strength as Governed by Steel Strength	N_{sa}	lb (kN)	7,750 (34.5)	14,190 (63.1)	22,600 (100.5)	28,430 (126.5)	39,245 (174.6)	51,485 (229.0)	82,370 (366.4)
		V_{sa}	lb (kN)	4,650 (20.7)	8,515 (37.9)	13,560 (60.3)	17,060 (75.9)	23,545 (104.7)	30,890 (137.4)	49,425 (219.8)
	Reduction Factor for Seismic Shear	$\alpha_{V,seis}$	-	Not Applicable	0.85				0.80	
	Strength Reduction Factor for Tension ²	ϕ	-	0.65						
	Strength Reduction Factor for Shear ²	ϕ	-	0.60						

For SI: 1 inch = 25.4mm, 1lb - 4.448 N, 1psi = 006894 MPa.
For pound-inch units: 1mm = 0.03937 inches, 1 N = 0.2248 lbf, 1 MPa = 145.0psi..

- Values provided for common rod material types based on specified strengths and calculated in accordance with ACI 318-14 Eq. 17.4.4.1.2. and Eq. 17.5.1.1.2.b or ACI 318-11 Eq. (D-2) and Eq. (D-29), as applicable. Nuts and washers must comply with requirements for the rod.
- The tabulated values of ϕ applies when the load combinations of Section 1605.2 of the IBC, ACI 318-14 5.3 or ACI 318-11 9.2, as applicable, as set forth in ACI 318-14 17.3.3 or ACI 318-11 D.4.3, as applicable, are used. If the load combinations of ACI 318-11 Appendix C are used, the appropriate value of ϕ must be determined in accordance with ACI 318-11 D.4.4.



DESIGN & TECHNICAL SPECIFICATIONS

TABLE 5: CONCRETE BREAKOUT DESIGN INFORMATION THREADED ROD IN HOLES DRILLED WITH A HAMMER DRILL & CARBIDE BIT¹

DESIGN INFORMATION	SYMBOL	UNITS	THREADED ROD DIAMETER (in.)						
			3/8	1/2	5/8	3/4	7/8	1	1-1/4
Minimum Embedment Depth	$h_{ef,min}$	in (mm)	2-3/8 (60)	2-3/4 (70)	3-1/8 (79)	3-1/2 (89)	3-1/2 (89)	4 (102)	5 (127)
Maximum Embedment Depth	$h_{ef,max}$	in (mm)	4-1/2 (114)	6 (152)	7-1/2 (191)	9 (229)	10-1/2 (267)	12 (305)	15 (381)
Effectiveness Factor for Cracked Concrete	$K_{c,cr}$	- (SI)	Not Applicable	17 (7.1)					
Effectiveness Factor for Un-cracked Concrete	$K_{c,uncr}$	- (SI)	24 (10)						
Minimum Spacing Distance	S_{min}	in (mm)	$S_{min} = C_{min}$						
Minimum Edge Distance	C_{min}	in (mm)	1-7/8 (48)	2-1/2 (64)	3-1/8 (79)	3-3/4 (95)	4-3/8 (111)	5 (127)	6-1/4 (159)
Minimum Concrete Thickness	H_{min}	in (mm)	$h_{ef} + 1-1/4 [\geq 3.94]$ $(h_{ef} + 30 [\geq 100])$		$h_e + 2d_o$ where d_o is the hole diameter				
Critical Edge Distance (Un-cracked Concrete Only)	C_{ac}	-	See Section 4.1.10 of this report.						
Strength, Reduction Factor for Tension, Concrete Failure Modes, Condition B ²	\emptyset	-	0.65						
Strength, Reduction Factor for Shear, Concrete Failure Modes, Condition B ²	\emptyset	-	0.70						

For SI: 1inch = 25.4mm, 1lbf = 4.448 N, 1psi = 006894 MPa.

For pound-inch units: 1mm = 0.03937 inches, 1 N = 0.2248 lbf, 1 MPa = 145.0psi.

1. Additional setting information is described in Figure 3, installation instructions.
2. Condition A requires supplemental reinforcement, while Condition B applies where supplemental reinforcement is not provided or where pullout or pryout governs, as set forth in ACI 318-14 17.3.3 or ACI 318-11 D.4.3, as applicable. The tabulated value of \emptyset applies when the load combinations of Section 1605.2 of the IBC, ACI 318-14.5.3 or ACI 318-11 9.2, as applicable., as set forth in ACI 318-14 17.3.3 or ACI 318-11 D.4.3, as applicable. If the load combinations of ACI 318-11 Appendix c are used, the appropriate value of \emptyset must be determined in accordance with ACI 318-11 D.4.4.



DESIGN & TECHNICAL SPECIFICATIONS

TABLE 6: BOND STRENGTH DESIGN INFO FOR THREADED ROD IN HOLES DRILLED WITH A HAMMER DRILL & CARBIDE BIT¹

DESIGN INFORMATION			SYMBOL	UNITS	THREADED ROD DIAMETER (in.)							
					3/8	1/2	5/8	3/4	7/8	1	1-1/4	
Minimum Embedment Depth			$h_{ef,min}$	in (mm)	2-3/8 (60.3)	2-1/4 (69.9)	3-1/8 (79.4)	3-1/2 (88.9)	3-1/2 (88.9)	4 (101.6)	5 (127.0)	
Maximum Embedment Depth			$h_{ef,max}$	in (mm)	4-1/2 (114)	6 (152)	7-1/2 (191)	9 (229)	10-1/2 (267)	12 (305)	15 (381)	
Dry and Water Saturated Concrete	Maximum Long Term Temperature 122°F (50°C)	Cracked Concrete	Characteristic Bond Strength with Sustained Load	$T_{k,cr}$	psi (N/mm ²)	-	498 (3.4)	519 (3.6)	519 (3.6)	519 (3.6)	519 (3.6)	525 (3.6)
			Characteristic Bond Strength without Sustained Load	$T_{k,cr}$	psi (N/mm ²)	-	712 (4.9)	742 (5.1)	742 (5.1)	742 (5.1)	742 (5.1)	751 (5.2)
	Maximum Short Term Temperature 176°F (80°C)	Uncracked Concrete	Characteristic Bond Strength with Sustained Load	$T_{k,uncr}$	psi (N/mm ²)	823 (5.7)	823 (5.7)	823 (5.7)	823 (5.7)	823 (5.7)	743 (5.1)	588 (4.1)
			Characteristic Bond Strength without Sustained Load	$T_{k,uncr}$	psi (N/mm ²)	1,777 (8.1)	1,777 (8.1)	1,777 (8.1)	1,777 (8.1)	1,777 (8.1)	1,062 (7.3)	841 (5.8)
	Maximum Long Term Temperature 161°F (72°C)	Cracked Concrete	Characteristic Bond Strength with Sustained Load	$T_{k,cr}$	psi (N/mm ²)	-	245 (1.7)	255 (1.8)	255 (1.8)	255 (1.8)	255 (1.8)	255 (1.8)
			Characteristic Bond Strength without Sustained Load	$T_{k,cr}$	psi (N/mm ²)	-	544 (3.8)	566 (3.9)	566 (3.9)	566 (3.9)	566 (3.9)	566 (3.9)
	Maximum Short Term Temperature 248°F (120°C)	Uncracked Concrete	Characteristic Bond Strength with Sustained Load	$T_{k,uncr}$	psi (N/mm ²)	405 (2.8)	405 (2.8)	405 (2.8)	405 (2.8)	405 (2.8)	366 (2.5)	-
			Characteristic Bond Strength without Sustained Load	$T_{k,uncr}$	psi (N/mm ²)	899 (6.2)	899 (6.2)	899 (6.2)	899 (6.2)	899 (6.2)	813 (5.6)	-
	Strength Reduction Factor for Dry Holes in Concrete			ϕ_d	-	0.65						
	Strength Reduction Factor for Water Saturated Holes in Concrete			ϕ_{ws}	-	0.55						
Water-Filled Holes in Concrete	Maximum Long Term Temperature 122°F (50°C)	Cracked Concrete	Characteristic Bond Strength with Sustained Load	$T_{k,cr}$	psi (N/mm ²)	-	388 (2.7)	405 (2.8)	405 (2.8)	363 (2.5)	258 (2.5)	352 (2.4)
			Characteristic Bond Strength without Sustained Load	$T_{k,cr}$	psi (N/mm ²)	-	555 (3.8)	579 (4.0)	579 (4.0)	520 (3.6)	512 (3.5)	503 (3.5)
	Maximum Short Term Temperature 176°F (80°C)	Uncracked Concrete	Characteristic Bond Strength with Sustained Load	$T_{k,uncr}$	psi (N/mm ²)	642 (4.4)	642 (4.4)	642 (4.4)	642 (4.4)	576 (4.0)	-	-
			Characteristic Bond Strength without Sustained Load	$T_{k,uncr}$	psi (N/mm ²)	918 (6.3)	918 (6.3)	918 (6.3)	918 (6.3)	824 (5.7)	-	-
	Maximum Long Term Temperature 161°F (72°C)	Cracked Concrete	Characteristic Bond Strength with Sustained Load	$T_{k,cr}$	psi (N/mm ²)	-	191 (1.3)	199 (1.4)	199 (1.4)	179 (1.3)	176 (1.2)	171 (1.2)
			Characteristic Bond Strength without Sustained Load	$T_{k,cr}$	psi (N/mm ²)	-	424 (2.9)	442 (3.0)	442 (3.0)	396 (2.7)	391 (2.7)	379 (2.6)
	Maximum Short Term Temperature 248°F (120°C)	Uncracked Concrete	Characteristic Bond Strength with Sustained Load	$T_{k,uncr}$	psi (N/mm ²)	316 (2.2)	316 (2.2)	316 (2.2)	316 (2.2)	-	-	-
			Characteristic Bond Strength without Sustained Load	$T_{k,uncr}$	psi (N/mm ²)	701 (4.8)	701 (4.8)	701 (4.8)	701 (4.8)	-	-	-
	Strength Reduction Factor for Water-Filled Holes in Concrete			ϕ_{wf}	-	0.45						
	Reduction Factor for Seismic Tension ⁵			$\alpha_{N,seis}$	-	0.95						

For SI: 1 inch = 25.4mm, 1lbf = 4.448 N, 1psi = 0.06894 MPa.

For pound-inch units: 1mm = 0.03937 inches, 1 N = 0.2248 lbf, 1 MPa = 145.0psi.

1. Characteristic bond strength values correspond to concrete compressive strength $f'_c = 2,500$ psi (17.2MPa). For uncracked concrete compressive strength f'_c between 2,500psi (17.2MPa) and 8,000psi (55.2 MPa) [minimum of 24 MPa is required under ADIBC Appendix L, Section 5.1.1], the tabulated characteristic bond strength may be increased by a factor of $(f'_c / 2500)^{0.19}$. See Section 4.1.4 of this report.

2. Lightweight concrete may be used by applying a reduction factor as given in ACI 318-14 17.2.6 or ACI 318-11 Appendix D section D.3.6, as applicable.
 3. Short term elevated concrete temperatures are those that occur over brief intervals, e.g. as result of diurnal cycling. Long term concrete temperatures are roughly constant over significant periods of time.
 4. Characteristic bond strengths are for sustained loads (when noted) including dead and live loads.
 5. For structures assigned to seismic Design Category C, D, E, or F, the bond strength values must be multiplied by $\alpha_{N,seis}$.



DESIGN & TECHNICAL SPECIFICATIONS

TABLE 7: STEEL DESIGN INFORMATION FOR REINFORCING REBAR¹

DESIGN INFORMATION		SYMBOL	UNITS	REBAR SIZE							
				NO. 3	NO. 4	NO. 5	NO. 6	NO. 7	NO. 8	NO. 9	NO. 10
Nominal Bar Depth		d	in (mm)	0.375 (9.5)	0.500 (12.7)	0.625 (15.9)	0.750 (19.1)	0.875 (22.2)	1.000 (25.4)	1.125 (28.6)	1.250 (31.8)
Reinforcing Bar Cross-Sectional Area		A_{se}	in ² (mm ²)	0.110 (71)	0.200 (129)	0.310 (200)	0.440 (284)	0.600 (387)	0.790 (510)	1.000 (645)	1.270 (819)
ASTM A615 Grade 40 ³	Nominal Strength as Governed by Steel Strength	N_{sa}	lb (kN)	6,600 (29.4)	12,000 (53.4)	18,600 (82.7)	26,400 (117.4)	Grade 40 bars are only available in sizes No.3 through No.6 per ASTM A615			
		V_{sa}	lb (kN)	3,960 (17.6)	7,200 (32.0)	11,160 (49.6)	15,840 (70.5)				
	Reduction Factor for Seismic Shear	$\alpha_{V,seis}$	-	-	0.70						
	Strength Reduction Factor for Tension ²	ϕ	-	0.65							
	Strength Reduction Factor For Shear ²	ϕ	-	0.60							
ASTM A625 Grade 60	Nominal Strength as Governed by Steel Strength	N_{sa}	lb (kN)	9,900 (44.0)	18,000 (80.1)	27,900 (124.1)	39,600 (176.1)	54,000 (240.2)	71,100 (316.3)	90,000 (400.3)	114,300 (508.4)
		V_{sa}	lb (kN)	5,940 (26.4)	10,800 (48.0)	16,740 (74.5)	23,760 (105.7)	32,400 (144.1)	42,660 (189.8)	54,000 (240.2)	68,580 (305.0)
	Reduction Factor for Seismic Shear	$\alpha_{V,seis}$	-	0.70							
	Strength Reduction Factor for Tension ²	ϕ	-	0.65							
	Strength Reduction Factor For Shear ²	ϕ	-	0.60							

For SI: 1inch = 25.4mm, 1lbf = 4.448 N, 1psi = 006894 MPa.
For pound-inch units: 1mm = 0.03937 inches, 1 N = 0.2248 lbf, 1 MPa = 145.0psi.

- Values provided for common bar material types based on specified strengths and calculated in accordance with ACI 318-14 Eq. 17.4.1.2 and Eq. 17.5.1.2b or ACI 381-11 Eq. (d-2) and Eq. (D-29), as applicable.
- The tabulated value of ϕ applies when the load combination of Section 1605.2 of the IBC, ACI 318-11 9.2, as applicable, as set forth in ACI 318-14 17.3.3 or ACI 318-11 D.4.3, as applicable, are used. If the load combinations of ACI 31-11 Appendix C are used, the appropriate value of ϕ must be determined in accordance with ACI 318-11 D.4.4.



DESIGN & TECHNICAL SPECIFICATIONS

TABLE 8: CONCRETE BREAKOUT DESIGN INFO FOR REINFORCING REBAR IN HOLES DRILLED WITH A HAMMER DRILL & CARBIDE BIT¹

DESIGN INFORMATION	SYMBOL	UNITS	REBAR SIZE							
			NO. 3	NO. 4	NO. 5	NO. 6	NO. 7	NO. 8	NO. 9	NO. 10
Minimum Embedment Depth	$h_{ef,min}$	in (mm)	2-3/8 (60)	2-3/4 (70)	3-1/8 (70)	3-1/2 (89)	3-1/2 (89)	4 (102)	4-1/2 (114)	5 (127)
Maximum Embedment Depth	$h_{ef,max}$	in (mm)	4-1/2 (114)	6 (152)	7-1/2 (191)	9 (229)	10-1/2 (267)	12 (305)	13-1/2 (343)	15 (381)
Effectiveness Factor for Cracked Concrete	$k_{c,cr}$	in-lb (si)	Not Applicable	17 (7.1)						
Effectiveness Factor for Uncracked Concrete	$k_{c,uncr}$	in-lb (si)	24 (10)							
Minimum Spacing Distance	S_{min}	in (mm)	$S_{min} = C_{min}$							
Minimum Edge Distance	C_{min}	in (mm)	1-7/8 (48)	2-1/2 (64)	3-1/8 (79)	3-3/4 (95)	4-3/8 (111)	5 (127)	5-3/8 (143)	6-1/4 (159)
Minimum Concrete Thickness	H_{min}	in (mm)	$h_{ef} + 1-1/4 [\geq 3.94]$ $(h_{ef} + 30 [\geq 100])$		$h_e + 2d_o$ where d_o is the hole diameter					
Critical Edge Distance (Uncracked Concrete Only) ²	C_{ac}	-	See Section 4.1.10 of this report.							
Strength Reduction Factor for Tension, Concrete Failure Modes, Condition B ²	ϕ	-	0.65							
Strength Reduction Factor for Shear, Concrete Failure Modes, Condition B ²	ϕ	-	0.70							

For SI: 1inch = 25.4mm, 1lbf - 4.448 N, 1psi = 006894 MPa.

For pound-inch units: 1mm = 0.03937 inches, 1 N = 0.2248 lbf, 1 MPa = 145.0psi.

- Additional setting information is describe din Figure 3, installation instructions.
- Condition A requires supplemental reinforcement, while Condition B applies where supplemental reinforcement is not provided or where pullout or pryout governs, as set forth in ACI 318-14 17.3.3 or ACI 318-11 D.4.3, as applicable. The tabulated value of ϕ applies when the load combinations of Section 1605.2 of the IBC, ACI 318-14 5.3 or ACI 318-11 9.2, as applicable, as set forth in the ACI 318-14 17.3.3 or ACI 318-11 D.4.3. Condition A requires supplemental reinforcement while Condition B applies where supplemental reinforcement is not provided or where pullout or pryout governs, as set forth in ACI 318-14 17.3.3 or ACI 318-11 D.4.3. The tabulated value of ϕ applies when the load combinations of Section 1605.2 of the IBC, ACI 318-14 5.3 or ACI 318-11 9.2 are used. If they load combinations of ACI 318-11 Appendix C are used, the appropriate value of ϕ must be determined in accordance with ACI 318-11 D.4.4.



DESIGN & TECHNICAL SPECIFICATIONS

TABLE 9: BOND STRENGTH DESIGN INFO FOR REINFORCING BAR IN HOLES DRILLED WITH A HAMMER DRILL & CARBIDE BIT¹

DESIGN INFORMATION			SYMBOL	UNITS	REBAR SIZE									
					NO. 3	NO. 4	NO. 5	NO. 6	NO. 7	NO. 8	NO. 9	NO. 10		
Minimum Embedment Depth			$h_{ef,min}$	in (mm)	2-3/8 (60)	2-3/4 (70)	3-1/8 (79)	3-1/2 (89)	3-1/2 (89)	4 (102)	4-1/2 (114)	5 (127)		
Maximum Embedment Depth			$h_{ef,max}$	in (mm)	4-1/2 (114)	6 (152)	7-1/2 (191)	9 (229)	10-1/2 (267)	12 (305)	13-1/2 (343)	15 (381)		
Dry and Water Saturated Concrete	Maximum Long Term Temperature 122°F (50°C)	Cracked Concrete	Characteristic Bond Strength with Sustained Load	$T_{k,cr}$	psi (N/mm ²)	-	331 (2.3)	345 (2.4)	345 (2.4)	345 (2.4)	345 (2.4)	349 (2.4)	349 (2.4)	
			Characteristic Bond Strength without Sustained Load		psi (N/mm ²)	-	473 (3.3)	493 (3.4)	493 (3.4)	493 (3.4)	493 (3.4)	499 (3.4)	499 (3.4)	
		Maximum Short Term Temperature 176°F (80°C)	Uncracked Concrete	Characteristic Bond Strength with Sustained Load	$T_{k,uncr}$	psi (N/mm ²)	823 (5.7)	823 (5.7)	823 (5.7)	823 (5.7)	823 (5.7)	743 (5.1)	668 (4.6)	588 (4.1)
				Characteristic Bond Strength without Sustained Load		psi (N/mm ²)	1,177 (8.1)	1,177 (8.1)	1,177 (8.1)	1,177 (8.1)	1,177 (8.1)	1,062 (7.3)	955 (6.6)	841 (5.8)
	Maximum Long Term Temperature 161°F (72°C)	Cracked Concrete	Characteristic Bond Strength with Sustained Load	$T_{k,cr}$	psi (N/mm ²)	-	163 (1.1)	170 (1.2)	170 (1.2)	170 (1.2)	170 (1.2)	170 (1.2)	172 (1.2)	172 (1.2)
			Characteristic Bond Strength without Sustained Load		psi (N/mm ²)	-	362 (2.5)	377 (2.6)	377 (2.6)	377 (2.6)	377 (2.6)	377 (2.6)	382 (2.6)	382 (2.6)
		Maximum Short Term Temperature 248°F (120°C)	Uncracked Concrete	Characteristic Bond Strength with Sustained Load	$T_{k,uncr}$	psi (N/mm ²)	405 (2.8)	405 (2.8)	405 (2.8)	405 (2.8)	405 (2.8)	366 (2.5)	329 (2.3)	-
				Characteristic Bond Strength without Sustained Load		psi (N/mm ²)	899 (6.2)	899 (6.2)	899 (6.2)	899 (6.2)	899 (6.2)	813 (5.6)	730 (5.0)	-
	Strength Reduction Factor for Dry Holes in Concrete			ϕ_d	-	0.65								
	Strength Reduction Factor for Water Saturated Holes in Concrete			ϕ_{ws}	-	0.55								
	Water-Filled Holes in Concrete	Maximum Long Term Temperature 122°F (50°C)	Cracked Concrete	Characteristic Bond Strength with Sustained Load	$T_{k,cr}$	psi (N/mm ²)	-	258 (1.8)	269 (1.9)	269 (1.9)	242 (1.7)	238 (1.7)	237 (1.6)	234 (1.6)
				Characteristic Bond Strength without Sustained Load		psi (N/mm ²)	-	369 (2.5)	385 (2.7)	385 (2.7)	346 (2.4)	340 (2.3)	339 (2.3)	335 (2.3)
Maximum Short Term Temperature 176°F (80°C)			Uncracked Concrete	Characteristic Bond Strength with Sustained Load	$T_{k,uncr}$	psi (N/mm ²)	642 (4.4)	642 (4.4)	642 (4.4)	642 (4.4)	576 (4.0)	-	-	-
				Characteristic Bond Strength without Sustained Load		psi (N/mm ²)	918 (6.3)	918 (6.3)	918 (6.3)	918 (6.3)	824 (5.7)	-	-	-
Maximum Long Term Temperature 161°F (72°C)		Cracked Concrete	Characteristic Bond Strength with Sustained Load	$T_{k,cr}$	psi (N/mm ²)	-	127 (0.9)	133 (0.9)	133 (0.9)	119 (0.8)	117 (0.8)	117 (0.8)	115 (0.8)	
			Characteristic Bond Strength without Sustained Load		psi (N/mm ²)	-	282 (1.9)	295 (2.0)	295 (2.0)	264 (1.8)	260 (1.8)	260 (1.8)	255 (1.8)	
		Maximum Short Term Temperature 248°F (120°C)	Uncracked Concrete	Characteristic Bond Strength with Sustained Load	$T_{k,uncr}$	psi (N/mm ²)	316 (2.2)	316 (2.2)	316 (2.2)	316 (2.2)	-	-	-	-
				Characteristic Bond Strength without Sustained Load		psi (N/mm ²)	702 (4.8)	702 (4.8)	702 (4.8)	702 (4.8)	-	-	-	-
Strength Reduction Factor for Water-Filled Holes in Concrete			ϕ_{wf}	-	0.45									
Reduction Factor for Seismic Tension ⁵			$\alpha_{N,seis}$	-	1.00									

For SI: 1 inch = 25.4mm, 1lbf = 4.448 N, 1psi = 0.06894 MPa.

For pound-inch units: 1mm = 0.03937 inches, 1 N = 0.2248 lbf, 1 MPa = 145.0psi.

1. Characteristic bond strength values correspond to concrete compressive strength $f'_c = 2,500$ psi (17.2MPa). For uncracked concrete compressive strength f'_c between 2,500psi (17.2MPa) and 8,000psi (55.2 MPa) [minimum of 24 MPa is required under ADIBC Appendix L, Section 5.1.1], the tabulated characteristic bond strength may be increased by a factor of $(f'_c / 2500)^{0.13}$ (for SI: $(f'_c / 17.2)^{0.13}$). See Section 4.1.4 of this report.

2. Lightweight concrete may be used by applying a reduction factor as given in ACI 318-14 17.2.6 or ACI 318-11 Appendix D section D.3.6, as applicable.
 3. Short term elevated concrete temperatures are those that occur over brief intervals, e.g. as result of diurnal cycling. Long term concrete temperatures are roughly constant over significant periods of time.
 4. Characteristic bond strengths are for sustained loads (when noted) including dead and live loads.
 5. For structures assigned to seismic Design Category C, D, E, or F, the bond strength values must be multiplied by $\alpha_{N,seis}$.



DESIGN & TECHNICAL SPECIFICATIONS

TABLE 10: ULTIMATE & ALLOWABLE LOAD CAPACITIES FOR THREADED ROD INSTALLED WITH VF200PRO INTO SOLID BRICK MASONRY WALLS

ANCHOR DIAMETER	DRILL DIAMETER	MINIMUM EMBEDMENT	MINIMUM END DISTANCE	MINIMUM EDGE DISTANCE	ULTIMATE LOAD		ALLOWABLE LOAD	
					TENSION (lbs.)	SHEAR (lbs.)	TENSION (lbs.)	SHEAR (lbs.)
ANCHORS INSTALLED INTO THE FACE OF BRICK WALLS - 1 WYTHE THICK								
1/4"	3/8"	2-1/2"	4"	4"	1,740	–	348	–
3/8"	1/2"	2-1/2"	4"	4"	3,925	–	785	–
ANCHORS INSTALLED INTO THE FACE OF BRICK WALLS - 2 WYTHE THICK								
3/8"	1/2"	3-1/2"	2-1/2"	2-1/2"	3,610	4,500	722	900
		3-1/2"	6"	6"	5,840	4,500	1,168	900
		6"	6"	6"	10,400	4,500	2,080	900
1/2"	5/8"	6"	8"	8"	11,520	9,320	2,304	1,864
5/8"	3/4"	3-1/8"	9-1/2"	9-1/2"	4,700	7,710	940	1,542
		6"	9-1/2"	9-1/2"	9,950	7,710	1,990	1,542
ANCHORS INSTALLED INTO THE TOP OF BRICK WALLS - 2 WYTHES THICK								
3/8"	1/2"	3-1/2"	2-1/2"	2-1/2"	3,665	2,435	735	485

1. Allowable loads are calculated using an applied safety factor of 5.0. Consideration of safety factors of 10 or higher may be necessary depending on the application, such as life safety.
2. Allowable loads apply to installations in the face of brick or mortar joints. The tabulated values are for anchors installed at a minimum of 16 anchor diameters on center for 100 percent capacity.
3. The tabulated values must be adjusted for increased in-service base material temperatures in accordance with the In-Service Temperature chart, as applicable.



DESIGN & TECHNICAL SPECIFICATIONS

TABLE 11: VF200PRO PERFORMANCE TO ASTM C881-15^{1,2,3}

PROPERTY	CURE TIME	ASTM STANDARD	UNITS	SAMPLE CONDITIONING TEMPERATURE			
				CLASS A	CLASS B	OPTIONAL	CLASS C
				14°F (-10°C)	50°F (10°C)	75°F (24°C)	104°F (40°C)
Gel Time - 60 Gram Mass ⁴	-	C881	min	16	8	5	5
Consistency or Viscosity	-	C881	-	Non-sag			
Compressive Yield Strength	7 day	D695	psi (MPa)	12,820 (88.4)	13,490 (93.0)	11,430 (78.8)	11,830 (81.6)
Compressive Modulus			psi (MPa)	497,300 (3,429)	491,600 (3,389)	374,400 (2,581)	299,100 (2,062)
Tensile Strength ⁵		D638	psi (MPa)	2,510 (17.3)			
Tensile Elongation ⁵			%	0.9			
Bond Strength Hardened to Hardened Concrete	2 day	C882	psi (MPa)	2,5240 (17.4)	2,440 (16.8)	2,320 (16.0)	2,600 (17.9)
	14 day		psi (MPa)	1,870 (12.9)	3,020 (20.8)	2,940 (20.3)	3,130 (21.6)
Bond Strength Fresh to Hardened Concrete				psi (MPa)	2,510 (17.3)		
Heat Deflection Temperature	7 day	D648	°F (°C)	192 (89)			
Water Absorption	14 day	D570	%	0.74			
Linear Coefficient of Shrinkage	48 hr	D2566	%	0.005			

1. Product testing results based on representative lot(s). Average results will vary according to the tolerances of the given property.
2. Full cure time is listed above to obtain the given properties for each product characteristic.
3. Results may vary due to environmental factors such as temperature, moisture and type of substrate.
4. Gel time may be lower than the minimum required for ASTM C881 Type I and IV.
5. Optional testing for Grade 3 systems.



DESIGN & TECHNICAL SPECIFICATIONS

TABLE 12: VF200PRO ALLOWABLE TENSION LOADS FOR THREADED ROD IN NORMAL-WEIGHT CONCRETE¹

THREADED ROD DIAMETER in.	NOMINAL DRILL BIT DIAMETER in.	EMBEDMENT DEPTH in. (mm)	ALLOWABLE TENSION LOAD BASED ON BOND STRENGTH / CONCRETE CAPACITY ^{2,3} lbs. (kN)	ALLOWABLE TENSION BASED ON STEEL STRENGTH ⁴		
			f'c ≥ 2,500 psi (17.4 MPa)	ASTM F1554 GRADE 36 lbs. (kN)	ASTM A193 GRADE B7 lbs. (kN)	ASTM F593 304/316 SS lbs. (kN)
3/8	7/16	2-3/8 (60)	1,011 (4.5)	2,114 (9.4)	4,556 (20.3)	3,645 (16.2)
		3-3/8 (86)	1,437 (6.4)			
		4-1/2 (114)	1,916 (8.5)			
1/2	9/16	2-3/4 (70)	1,561 (6.9)	3,758 (16.7)	8,099 (36.0)	6,480 (28.8)
		4-1/2 (114)	2,555 (11.4)			
		6 (152)	3,407 (15.2)			
5/8	3/4	3-1/8 (79)	2,218 (9.9)	5,872 (26.1)	12,655 (56.3)	10,124 (45.0)
		5-5/8 (143)	3,992 (17.8)			
		7-1/2 (191)	5,323 (23.7)			
3/4	7/8	3-1/2 (86)	2,981 (13.7)	8,456 (37.6)	18,224 (81.1)	12,392 (55.1)
		6-3/4 (171)	5,749 (25.6)			
		9 (229)	7,665 (34.1)			
7/8	1	3-1/2 (89)	3,451 (15.4)	11,509 (51.2)	24,804 (110.3)	16,867 (75.0)
		7-7/8 (200)	7,825 (34.8)			
		10-1/2 (267)	10,433 (46.4)			
1	1-1/8	4 (102)	4,101 (18.1)	15,033 (66.9)	32,398 (144.1)	22,030 (98.0)
		9 (229)	13,674 (60.8)			
		12 (305)	20,923 (93.1)			
1-1/4	1-3/8	5 (127)	5,200 (23.1)	12,100 (53.8)	26,078 (1160.0)	17,733 (78.9)
		11-1/4 (286)	17,394 (77.4)			
		15 (381)	26,615 (118.4)			

For SI: 1 inch = 25.4 mm, 1 lbf = 4.448 N, 1 psi = 0.006897 MPa.
For pound-inch units: 1 mm = 0.03937 inch, 1 N = 0.2248 lbf, 1 MPa = 145.0 psi

- The lower value of either the allowable bond strength/concrete capacity or steel strength should be used as the allowable tension value for design.
- Allowable tension loads calculated based on strength design provisions of IBC Section 1605.3 with the following assumptions: Temperature range A: Maximum short term temperature of 176°F (80°C), Maximum long term temperature of 122°F (50°C). Load combination from ACI based on 1.2D + 1.6L assuming dead load of 0.3 and live load of 0.7 giving a weighted average of 1.48. f'c = 2,500 psi normal-weight uncracked concrete. Single anchor, vertically down with periodic special inspection and no seismic loading. Ød 0.65 for dry concrete, C_{a1} = C_{a2} ≥ C_{ac}, h ≥ h_{min}.
- For long term temperature exposure greater than 122°F (50°C) and up to 161 °F (72°C), with short term temperatures up to 248 °F (120°C), apply a reduction factor of 0.49 to the allowable tension load.
- Allowable steel strengths calculated in accordance with AISC Manual of Steel Construction: Tensile= 0.33 * F_u * A_{nom}.



DESIGN & TECHNICAL SPECIFICATIONS

TABLE 13: VF200PRO ALLOWABLE SHEAR LOADS FOR THREADED ROD IN NORMAL-WEIGHT CONCRETE¹

THREADED ROD DIAMETER in.	NOMINAL DRILL BIT DIAMETER in.	EMBEDMENT DEPTH in. (mm)	ALLOWABLE SHEAR LOAD BASED ON BOND STRENGTH / CONCRETE CAPACITY ^{2,3} lbs. (kN)	ALLOWABLE SHEAR BASED ON STEEL STRENGTH ⁴		
			f'c ≥ 2,500 psi (17.4 MPa)	ASTM F1554 GRADE 36 lbs. (kN)	ASTM A193 GRADE B7 lbs. (kN)	ASTM F593 304/316 SS lbs. (kN)
3/8	7/16	2-3/8 (60)	1,011 (4.5)	1,089 (4.8)	2,347 (10.4)	1,878 (8.4)
		3-3/8 (86)	2,436 (10.8)			
		4-1/2 (114)	3,832 (17.0)			
1/2	9/16	2-3/4 (70)	1,878 (8.4)	1,936 (8.6)	4,172 (18.6)	3,338 (14.8)
		4-1/2 (114)	4,308 (19.2)			
		6 (152)	6,813 (30.3)			
5/8	3/4	3-1/8 (79)	2,496 (11.1)	3,025 (13.5)	6,519 (29.0)	5,216 (23.2)
		5-5/8 (143)	6,725 (29.9)			
		7-1/2 (191)	10,646 (47.4)			
3/4	7/8	3-1/2 (86)	3,196 (14.2)	4,356 (19.4)	9,388 (41.8)	6,384 (28.4)
		6-3/4 (171)	9,259 (41.2)			
		9 (229)	14,168 (63.0)			
7/8	1	3-1/2 (89)	3,332 (14.8)	5,929 (26.4)	12,778 (56.8)	8,689 (38.7)
		7-7/8 (200)	11,663 (51.9)			
		10-1/2 (267)	17,846 (79.4)			
1	1-1/8	4 (102)	4,084 (18.2)	7,744 (34.4)	16,690 (74.2)	11,349 (50.5)
		9 (229)	13,674 (60.8)			
		12 (305)	20,923 (93.1)			
1-1/4	1-3/8	5 (127)	5,200 (23.1)	12,100 (53.8)	26,078 (116.0)	17,733 (78.9)
		11-1/4 (286)	17,394 (77.4)			
		15 (381)	26,615 (118.4)			

For SI: 1 inch = 25.4 mm, 1 lbf = 4.448 N, 1 psi = 0.006897 MPa.

For pound-inch units: 1 mm = 0.03937 inch, 1 N = 0.2248 lbf, 1 MPa = 145.0 psi

- The lower value of either the allowable bond strength/concrete capacity or steel strength should be used as the allowable tension value for design.
- Allowable tension loads calculated based on strength design provisions of IBC Section 1605.3 with the following assumptions: Temperature range A: Maximum short term temperature of 176 °F (80°C), Maximum long term temperature of 122°F (50°C). Load combination from ACI based on 1.2D + 1.6L assuming dead load of 0.3 and live load of 0.7 giving a weighted average of 1.48. f'c = 2,500 psi normal-weight uncracked concrete. Single anchor, vertically down with periodic special inspection and no seismic loading. $\phi \geq 0.65$ for dry concrete, $C_{a1} = C_{a2} \geq C_{a3}$, $h \geq h_{min}$.
- For long term temperature exposure greater than 122 °F (50°C) and up to 161°F (72°C), with short term temperatures up to 248°F (120°C), apply a reduction factor of 0.49 to the allowable shear load.
- Allowable steel strengths calculated in accordance with AISC Manual of Steel Construction: $Shear = 0.17 * F_u * A_{nom}$.



DESIGN & TECHNICAL SPECIFICATIONS

TABLE 14: VF200PRO ALLOWABLE TENSION LOADS FOR REBAR IN NORMAL-WEIGHT CONCRETE¹

REBAR SIZE	NOMINAL DRILL BIT DIAMETER in.	EMBEDMENT DEPTH in. (mm)	ALLOWABLE TENSION LOAD BASED ON BOND STRENGTH / CONCRETE CAPACITY ^{2,3}	ALLOWABLE TENSION BASED ON STEEL STRENGTH ⁴	
			f'c ≥ 2,500 psi (17.4 MPa)	ASTM A615 GRADE 60 lbs. (kN)	ASTM A615 GRADE 40 lbs. (kN)
#3	1/2	2-3/8 (60)	1,497 (6.7)	2,640 (11.7)	1,760 (7.8)
		3-3/8 (86)	2,127 (9.5)		
		4-1/2 (114)	2,836 (12.6)		
#4	5/8	2-3/4 (70)	2,311 (10.3)	4,800 (21.4)	3,200 (14.2)
		4-1/2 (114)	3,781 (16.8)		
		6 (152)	5,042 (22.4)		
#5	3/4	3-1/8 (79)	3,282 (14.6)	7,440 (33.1)	4,960 (22.1)
		5-5/8 (143)	5,908 (26.3)		
		7-1/2 (191)	7,878 (35.0)		
#6	7/8	3-1/2 (86)	4,412 (13.7)	10,560 (47.0)	7,040 (31.3)
		6-3/4 (171)	8,508 (37.8)		
		9 (229)	11,344 (50.5)		
#7	1-1/8	3-1/2 (89)	5,107 (22.7)	14,400 (64.1)	Grade 40 reinforcing bars are only available in sizes #3 through #6 per ASTM A615
		7-7/8 (200)	11,580 (51.5)		
		10-1/2 (267)	15,440 (68.7)		
#8	1-1/4	4 (102)	6,069 (27.0)	18,960 (84.3)	
		9 (229)	13,655 (60.7)		
		12 (305)	18,207 (81.0)		
#9	1-3/8	4-1/2 (114)	6,906 (30.7)	24,000 (106.8)	
		10-1/8 (257)	15,538 (69.1)		
		13-1/2 (343)	20,717 (92.2)		
#10	1-1/2	5 (127)	7,504 (33.4)	30,480 (135.6)	
		11-1/4 (286)	16,885 (75.1)		
		15 (381)	22,513 (100.1)		

For SI: 1 inch = 25.4 mm, 1 lbf = 4.448 N, 1 psi = 0.006897 MPa.

For pound-inch units: 1 mm = 0.03937 inch, 1 N = 0.2248 lbf, 1 MPa = 145.0 psi

- The lower value of either the allowable bond strength/concrete capacity or steel strength should be used as the allowable tension value for design.
- Allowable tension loads calculated based on strength design provisions of IBC Section 1605.3 with the following assumptions: Temperature range A: Maximum short term temperature of 176°F (80°C), Maximum long term temperature of 122°F (50°C). Load combination from ACI based on 1.2D + 1.6L assuming dead load of 0.3 and live load of 0.7 giving a weighted average of 1.48. f'c = 2,500 psi normal-weight uncracked concrete. Single anchor, vertically down with periodic special inspection and no seismic loading. Ød 0.65 for dry concrete, C_{a1} = C_{a2} ≥ C_{ac}, h ≥ h_{min}.
- For long term temperature exposure greater than 122°F (50°C) and up to 161°F (72°C), with short term temperatures up to 248°F (120°C), apply a reduction factor of 0.49 to the allowable tension load.
- Allowable steel strengths calculated in accordance with AISC Manual of Steel Construction: Tensile = 0.33 * F_u * A_{nom}.



DESIGN & TECHNICAL SPECIFICATIONS

TABLE 15: VF200PRO ALLOWABLE SHEAR LOADS FOR REBAR IN NORMAL-WEIGHT CONCRETE¹

REBAR SIZE	NOMINAL DRILL BIT DIAMETER in.	EMBEDMENT DEPTH in. (mm)	ALLOWABLE SHEAR LOAD BASED ON BOND STRENGTH / CONCRETE CAPACITY ^{2,3} lbs. (kN)	ALLOWABLE SHEAR BASED ON STEEL STRENGTH ⁴	
			f'c ≥ 2,500 psi (17.4 MPa)	ASTM A615 GRADE 60 lbs. (kN)	ASTM A615 GRADE 40 lbs. (kN)
#3	1/2	2-3/8 (60)	1,497 (6.7)	2,640 (11.7)	1,760 (7.8)
		3-3/8 (86)	2,127 (9.5)		
		4-1/2 (114)	2,836 (12.6)		
#4	5/8	2-3/4 (70)	2,311 (10.3)	4,800 (21.4)	3,200 (14.2)
		4-1/2 (114)	3,781 (16.8)		
		6 (152)	5,042 (22.4)		
#5	3/4	3-1/8 (79)	3,282 (14.6)	7,440 (33.1)	4,960 (22.1)
		5-5/8 (143)	5,908 (26.3)		
		7-1/2 (191)	7,878 (35.0)		
#6	7/8	3-1/2 (86)	4,412 (13.7)	10,560 (47.0)	7,040 (31.3)
		6-3/4 (171)	8,508 (37.8)		
		9 (229)	11,344 (50.5)		
#7	1-1/8	3-1/2 (89)	5,107 (22.7)	14,400 (64.1)	Grade 40 reinforcing bars are only available in sizes #3 through #6 per ASTM A615
		7-7/8 (200)	11,580 (51.5)		
		10-1/2 (267)	15,440 (68.7)		
#8	1-1/4	4 (102)	6,069 (27.0)	18,960 (84.3)	
		9 (229)	13,655 (60.7)		
		12 (305)	18,207 (81.0)		
#9	1-3/8	4-1/2 (114)	6,906 (30.7)	24,000 (106.8)	
		10-1/8 (257)	15,538 (69.1)		
		13-1/2 (343)	20,717 (92.2)		
#10	1-1/2	5 (127)	7,504 (33.4)	30,480 (135.6)	
		11-1/4 (286)	16,885 (75.1)		
		15 (381)	22,513 (100.1)		

For SI: 1 inch = 25.4 mm, 1 lbf = 4.448 N, 1 psi = 0.006897 MPa.

For pound-inch units: 1 mm = 0.03937 inch, 1 N = 0.2248 lbf, 1 MPa = 145.0 psi

- The lower value of either the allowable bond strength/concrete capacity or steel strength should be used as the allowable tension value for design.
- Allowable tension loads calculated based on strength design provisions of IBC Section 1605.3 with the following assumptions: Temperature range A: Maximum short term temperature of 176 °F (80°C), Maximum long term temperature of 122°F (50°C). Load combination from ACI based on 1.2D + 1.6L assuming dead load of 0.3 and live load of 0.7 giving a weighted average of 1.48. f'c = 2,500 psi normal-weight uncracked concrete. Single anchor, vertically down with periodic special inspection and no seismic loading. Ød 0.65 for dry concrete, C_{a1} = C_{a2} ≥ C_{ac}, h ≥ h_{min}.
- For long term temperature exposure greater than 122°F (50 °C) and up to 161°F (72°C), with short term temperatures up to 248°F (120°C), apply a reduction factor of 0.49 to the allowable shear load.
- Allowable steel strengths calculated in accordance with AISC Manual of Steel Construction: Shear = 0.17 * F_u * A_{nom}.

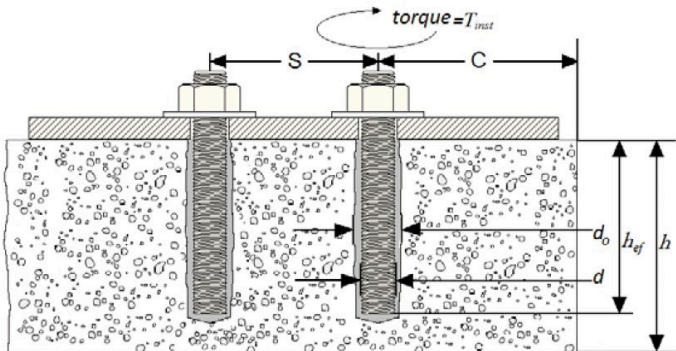


INSTALLATION PARAMETERS

FIGURE 1: VF200PRO ADHESIVE ANCHORING SYSTEM AND TYPICAL ANCHOR ELEMENTS



FIGURE 2: TYPICAL INSTALLATION RETAIL FOR THREADED RODS & REINFORCING BARS

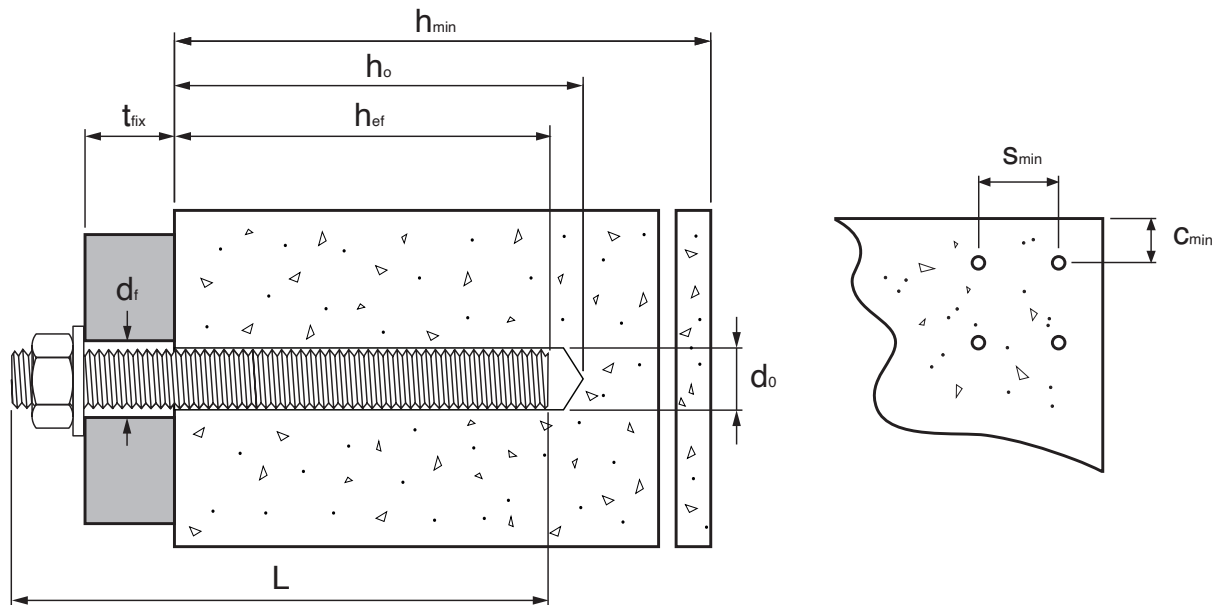




INSTALLATION PARAMETERS

TABLE 16: VF200PRO INSTALLATION PARAMETERS OF THREADED ROD

ANCHOR SIZE			3/8"	1/2"	5/8"	3/4"	7/8"	1"	1-1/4"
Nominal Drill Hole Diameter	d_o	in.	7/16	9/16	3/4	7/8	1	1-1/8	1-3/8
Torque Moment (A36/A307)	$T_{fix,max}$	ft.lb.	10	25	50	90	125	165	280
Torque Moment (A193 B7 or F593 SS)	$T_{fix,max}$	ft.lb.	16	33	60	105	125	165	280
Embedment Depth (Hammer Drilled)	$h_{ef,min}$	in.	2-3/8	2-3/4	3-1/8	3-1/2	3-3/4	4	5
Embedment Depth (Hammer Drilled)	$h_{ef,max}$	in.	7-1/2	10	12-1/2	15	17-1/2	20	25
Depth of Drill Hole	h_o	in.	$h_{ef} + 1/4$						
Minimum Edge Distance	c_{min}	in.	1-7/8	2-1/2	3-1/8	3-3/4	4-3/8	5	6-1/4
Minimum Spacing	s_{min}	in.	1-7/8	2-1/2	3-1/8	3-3/4	4-3/8	5	6-1/4
Minimum Thickness of Member	h_{min}	in.	$h_{ef} + 1-1/4$		$h_{ef} + 2*d_o$				





INSTALLATION PARAMETERS

TABLE 17: VF200PRO INSTALLATION PARAMETERS OF REBAR

REBAR SIZE			NO. 3	NO. 4	NO. 5	NO. 6	NO. 7	NO. 8	NO. 9	NO. 10
Nominal Rebar Diameter	d_a	in.	0.375	0.500	0.625	0.750	0.875	1.000	1.125	1.250
Nominal Drill Hole Diameter	d_o	in.	7/16	5/8	3/4	7/8	1	1-1/8	1-3/8	1-1/2
Embedment Depth (Hammer Drilled)	$h_{ef,min}$	in.	2-3/8	2-3/4	3-1/8	3-1/2	3-1/2	4	4-1/2	5
Embedment Depth (Hammer Drilled)	$h_{ef,max}$	in.	4-1/2	6	7-1/2	9	10-1/2	12	13-1/2	15
Depth of Drill Hole	h_o	in.	$h_{ef} + 1/4"$							
Minimum Edge Distance	c_{min}	in.	1-7/8	2-1/2	3-1/8	3-3/4	4-3/8	5	5-5/8	6-1/4
Minimum Spacing	s_{min}	in.	1-7/8	2-1/2	3-1/8	3-3/4	4-3/8	5	5-5/8	6-1/4
Minimum Thickness of Member	h_{min}	in.	$h_{ef} + 1-1/4, \geq 3.94$			$h_{ef} + 2*d_o$				

TABLE 18: VF200PRO INSTALLATION PARAMETERS OF REBAR

TEMP (°F)	14°F	23°F	32°F	41°F	50°F	70°F	86°F	95°F	104°F
Working (mins.)	90	90	45	25	15	6	4	2	1.5
Cure (hrs.)	24 hrs	14 hrs	7 hrs	2 hrs	90 min	45 min	25 min	20 min	15 min

For installation between 14°F and 23°F (-10°C and -5°C) the cartridge temperature must be conditioned to between 70°F and 75°F (21°C and 24°C).

Store adhesive in dry cool location free from sun and rain.

Storage temperature is 41°F to 77°F (5°C to 25°C).

TABLE 19: VF200PRO ADHESIVE, DISPENSING TOOLS & ACCESSORIES

PACKAGING SIZE	9.5oz (280ml) CARTRIDGE	28oz (825ml) CARTRIDGE
PART #	1VF200PRO	1VF200PRO-28
MIXING NOZZLE	1SN10	1SN28
MANUAL DISPENSING TOOL	13CAG300	13CAG825
PNEUMATIC DISPENSING TOOL	9CCG300	9CCG825
SDS BRUSH ADAPTER	11ESDS-38	
BRUSH EXTENSION	11EHAN-38	
NOZZLE EXTENSION TUBING	1E25-6	
RETENTION WEDGE	WEDGE	



INSTALLATION PARAMETERS

TABLE 20: VF200PRO BRUSHES

THREADED ROD DIAMETER in.	REBAR SIZE	DRILL BIT DIAMETER in.	BRUSH PART #
3/8	#3	7/16	11B012
1/2	-	9/16	11B012
-	#4	5/8	11SB058
5/8	#5	3/4	11SB034
3/4	#6	7/8	11SB078
7/8	#7	1	11SB100
1	#8	1-1/8	11SB118
1-1/4	#9	1-3/8	11SB138
-	#10	1-1/2	11SB112

TABLE 21: ASTM A193 GRADE B7; ASTM F1554 GRADE 105

PART NUMBER FOR STUD	DESCRIPTION DIA. X L	MAX FIXTURE THICKNESS t_{fix}	MINIMUM EMBEDMENT DEPTH $h_{ef,min}$	DRILL HOLE DIA. d_o	DRILL HOLE DEPTH	MINIMUM CONCRETE THICKNESS h_{min}	DESIGN CAPACITY IN 2,500 psi CRACKED CONCRETE ¹	
							TENSION	SHEAR
1SCMG38418	3/8-16 x 4-1/8"	1"	2-3/8"	7/16"	2-5/8"	4"	N/A	N/A
1SCMG38518	3/8-16 x 5-1/8"	2"	2-3/8"	7/16"	2-5/8"	4"	N/A	N/A
1SCMG38638	3/8-16 x 6-3/8"	3-1/4"	2-3/8"	7/16"	2-5/8"	4"	N/A	N/A
1SCMG12612	1/2-13 x 6-1/2"	2-3/4"	2-3/4"	9/16"	3"	4"	1398 lbs.	963 lbs.
1SCMG58712	5/8-11 x 7-1/2"	3-1/8"	3-1/8"	3/4"	3-3/8"	4-5/8"	2070 lbs.	1476 lbs.
1SCMG3410	3/4-10 x 10"	5"	3-1/2"	7/8"	3-3/4"	5-1/4"	2782 lbs.	2097 lbs.

TABLE 22: ASTM F593 CW STAINLESS TYPE 304 & 316

PART NUMBER FOR STUD	DESCRIPTION DIA. X L	MAX FIXTURE THICKNESS t_{fix}	MINIMUM EMBEDMENT DEPTH $h_{ef,min}$	DRILL HOLE DIA. d_o	DRILL HOLE DEPTH	MINIMUM CONCRETE THICKNESS h_{min}	DESIGN CAPACITY IN 2,500 psi CRACKED CONCRETE ¹	
							TENSION	SHEAR
1SCMS438418	3/8-16 x 4-1/8"	1"	2-3/8"	7/16"	2-5/8"	4"	N/A	N/A
1SCMS438518	3/8-16 x 5-1/8"	2"	2-3/8"	7/16"	2-5/8"	4"	N/A	N/A
1SCMS438638	3/8-16 x 6-3/8"	3-1/4"	2-3/8"	7/16"	2-5/8"	4"	N/A	N/A
1SCMS412612	1/2-13 x 6-1/2"	2-3/4"	2-3/4"	9/16"	3"	4"	1398 lbs.	963 lbs.
1SCMS458712	5/8-11 x 7-1/2"	3-1/8"	3-1/8"	3/4"	3-3/8"	4-5/8"	2070 lbs.	1476 lbs.
1SCMS43410	3/4-10 x 10"	5"	3-1/2"	7/8"	3-3/4"	5-1/4"	2782 lbs.	2097 lbs.

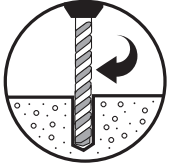


VF200PRO

FAST CURE ADHESIVE ANCHORING INJECTION



INSTALLATION INSTRUCTIONS

FIGURE 3: INSTALLATION INSTRUCTIONS

1. Using a rotary hammer drill, and a bit which conforms to ANSI B212.15 and is the appropriate size (see Tables 10 and 11) for the anchor diameter to be installed, drill the holes to the specified embedment depth.

CAUTION: Always wear appropriate personal protection equipment (PPE) for eyes, ears and skin and avoid inhalation of dust during the drilling and cleaning process. Refer to the Safety Data Sheet (SDS) for details prior to proceeding.

BLOW (4X) - BRUSH (4X) - BLOW(4X)



2. BLOW-NOTE: Remove any standing water from hole prior to beginning the cleaning process. Using oil free compressed air with a minimum pressure of 90 psi (6bar), insert the air wand to the bottom of the drilled hole and blow out the debris with an up/down motion for a minimum of 4 seconds/cycles (4x). For drilled holes < 7/8" in diameter, a hand pump (supplied by Allfasteners USA, LLC.) may be used instead of compressed air.



3. Select the correct wire brush size for the drilled hole diameter (see Table 13), making sure that the brush is long enough to reach the bottom of the drilled hole. Reaching the bottom of the hole (see brush extension if required), brush with an up/down and twisting motion for 4 cycles (4X). **CAUTION:** The brush should be clean and contact with the walls of the hole. If it does not, the brush is either too worn or small and should be replaced with a new brush of the correct diameter.



4. Blow the hole out once more to remove brush debris using oil free compressed air with a minimum pressure of 90 psi (6 bar). Insert the air wand to the bottom of the drilled hole and blow out the debris with an up/down motion for a minimum of 4 seconds/cycles (4X). Visually inspect the hole to confirm it is clean. **NOTE:** If installation will be delayed for any reason, cover cleaned holes to prevent contamination.



CARTRIDGE PREPARATION

5. **CAUTION:** Check the expiration date on the cartridge to ensure it is not expired. **DO NOT USE EXPIRED PRODUCT!** Remove the protective cap from the cartridge and insert the cartridge into the recommended dispensing tool (see Table 12). Screw on the proper Allfasteners USA, LLC. mixing nozzle to the cartridge (see Table 12). Do not modify mixing nozzle and confirm that internal mixing element is in place prior to dispensing adhesive. Never use without the mixing nozzle! Take note of the air and base material temperatures, review the working/full cure time chart (see table 14) and condition the cartridge accordingly prior to starting the injection process.

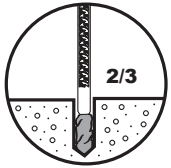


6. Dispense three full strokes of material from the mixing nozzle onto a disposable surface until the product is a uniform gray color with no streaks, as adhesive must be properly mixed in order to perform as published. Dispose of the initial amount of adhesive according to federal, state and local regulations prior to injection into the drill hole. **CAUTION:** When changing cartridges, never re-use nozzles. For a new cartridge (or if working time as been exceeded), ensure that cartridge opening is clean, install a new nozzle and repeat steps 5 & 6 accordingly. After finishing, work, leave the mixing nozzle attached to the cartridge.



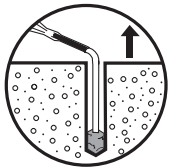
INSTALLATION INSTRUCTIONS

FIGURE 3: INSTALLATION INSTRUCTIONS

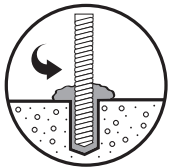


INSTALLATION AND CURING (VERTICAL DOWN, HORIZONTAL AND OVERHEAD)

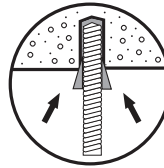
7A. NOTE: The engineering drawings must be followed. For any applications not covered by this document, or for any installation questions, please contact Allfasteners USA, LLC. Insert the mixing nozzle, using an extension tube if necessary, to the bottom of the hole and fill from the bottom to the top approximately 2/3 full, being careful not to withdraw the nozzle too quickly as this may trap air in the adhesive. **NOTE:** Building Code Requirements for Structural Concrete (ACI 318-11, -14) requires the installer to be certified where adhesive anchors are to be installed in horizontal or overhead installations for sustained loads.



7B. Piston plugs must be used with the extension tube attached to the supplied nozzle for horizontal and overhead applications with anchor sizes 5/8" to 1-1/4" diameter and rebar sizes of # to #10. Select the proper injection plug for the drill hole diameter as given in Table 13.



8A. Prior to inserting the threaded rod or rebar into the hole, make sure it is straight, clean and free of oil and dirt and that the necessary embedment depth is marked on the anchor element. Insert the anchor element into the hole while turning 1-2 rotations prior to the anchor reaching the bottom of the hole. Excess adhesive should be visible on all sides of the fully installed anchor. **CAUTION:** Use extra care with deep embedment or high temperature installations to ensure that the working time as not elapsed prior to the anchor being fully installed.



8B. For overhead installations, horizontal and inclined (between horizontal and overhead), wedges should be used to support the anchor while the adhesive is curing. Take appropriate steps to protect the exposed threads of the anchor element from uncured adhesive until after the full cure time has elapsed.



9. Do not disturb, torque or apply any load to the installed anchor until the specified full cure time has passed. The amount of time needed to reach full cure is base material temperature dependent - refer to Table 14 for appropriate full cure time. Use caution not to exceed the maximum specified torque once the anchor has fully cured. for Structural Concrete (ACI 318-11, -14) requires the installer to be certified where adhesive anchors are to be installed in horizontal or overhead installations for sustained loads.

INSTALLATION INSTRUCTIONS

TABLE 23: VF200PRO ADHESIVE ANCHORING INJECTION ORDERING INFORMATION

PART NUMBER	DESCRIPTION	CARTRIDGE SIZE	QTY/BOX
1VF200PRO	VF200PRO Epoxy	10 oz (300 mL)	12
1VF200PRO-28	VF200PRO Epoxy	28 oz (828 mL)	8



ESR-4632 LABC AND LARC SUPPLEMENT

1.0 REPORT PURPOSE & SCOPE

The purpose of this evaluation report supplement is to indicate that VF200PRO adhesive system in cracked and uncracked concrete, described in ICC-ES evaluation report ESR-4362, has also been evaluated for compliance with the codes noted below as adopted by the Los Angeles Department of Building and Safety (LADBS).

Applicable Code Editions:

- 2017 *City of Los Angeles Building Code (LABC)*
- 2017 *City of Los Angeles Residential Code (LARC)*

2.0 CONCLUSIONS

The VF200PRO adhesive anchor system in cracked and uncracked concrete, described in Sections 2.0 through 7.0 of the evaluation report ESR-4362, complies with the LABC Chapter 19, and the LARC, and is subject to the conditions of use described in this supplement.

3.0 CONDITIONS OF USE

The VF200PRO adhesive anchor system in cracked and uncracked concrete described in this evaluation report must comply with all of the following conditions:

- All applicable sections in the evaluation report ES#-4362.
- The design, installation, conditions of use and identification of the anchor system are in accordance with the 2015 *International Building Code*® (2015 IBC) provisions noted in the evaluation report ESR-4362.
- The design, installation and inspection are in accordance with additional requirements of LABC Chapters 16 and 17, as applicable.
- Under the LARC, an engineered design in accordance with LARC Section R301.1.3 must be submitted.
- The strength design values listed in the evaluation report and tables are for the connection of the anchor system to the concrete. The connection between the anchor system and the connected members shall be checked for capacity (which may govern).

This supplement expires concurrently with the evaluation report, issued September 2020.



ESR-4632 FBC SUPPLEMENT

1.0 REPORT PURPOSE & SCOPE

The purpose of this evaluation report supplement is to indicate that VF200PRO adhesive system in cracked and uncracked concrete, described in ICC-ES evaluation report ESR-4362, has also been evaluated for compliance with the codes noted below:

Compliance with the Following Codes:

- 2017 *Florida Building Code - Building*
- 2017 *Florida Building Code - Residential*

2.0 PURPOSE OF THIS SUPPLEMENT

The VF200PRO Adhesive Anchor System in cracked and uncracked concrete, described in Sections 2.0 through 7.0 of the evaluation report ESR-4362, complies with the *Florida Building Code - Building* and the *Florida Building Code - Residential*, provided the design and installation are in accordance with the 2015 *International Building Code*[®] (IBC) provisions held in the evaluation report.

Use of the VF200PRO Adhesive Anchor System in cracked and uncracked concrete for compliance with the High-Velocity Hurricane Zone provisions of the *Florida Building Code - Building* and the *Florida Building Code - Residential* has not been evaluated, and is outside the scope of this report.

For products falling under Florida Rule 9N-3, verification that the report holder's quality assurance program is audited by a quality assurance entity approved by the Florida Building Commission for the type of inspections being conducted is the responsibility of the approved validation entity (or the code official when the report holder does not possess an approval by the Commission).

This supplement expires concurrently with the evaluation report, issued September 2020.

**VF200PRO**

FAST CURE ADHESIVE ANCHORING INJECTION



ICC ESR-4632

DISCLAIMER

IMPORTANT: Information, specifications, procedures and recommendations provided (“information”) are based on our experience and we believe this to be accurate. No representation, guarantee or warranty is made as to the accuracy or completeness of the information or that use of the product will avoid losses or damages or give desired results. It is purchaser’s sole responsibility to test and determine the suitability of any product for the intended use. Tests should be repeated if materials or conditions change in any way. No employee, distributor or agent has any right to change these facts and offer a guarantee of performance.

NOTE TO USER: by ordering/receiving product you accept the ALLFASTENERS General Terms and Conditions of Sale applicable in the region. Please request a copy if you have not received these. These Terms and Conditions contain disclaimers of implied warranties (including but not limited to disclaiming warranties of fitness for a particular purpose) and limits of liability.